



Foshan Miracle Sanitary Ware Co., Ltd



Foshan Miracle Sanitary Ware Co., Ltd. is one of the subsidiaries under the ACA Group.

ACA group is originated founded in Australia and has been deeply involved in the sanitary ware industry for more than 10 years. In Australia, we have brand like AQUAPERLA, MYHOMEWARE, NORICO. The major production bases is located in Guangdong, China.

We have many different factories, with professional team, thus can provide a full range of sanitary ware products including: Kitchen taps and bathroom faucets, Bathroom shower accessories and spares such as shower riser rail and bracket, Head (standard and LED version) & Hose kit, handheld shower, etc. Towel accessories such as standard and heated towel rail, hand towel hook, robe hook, towel bar, etc.; Handmade Stainless steel SS304 kitchen sink, granite kitchen sinks, LED Mirror Light, WC toilet and bidet, etc.

We can offer more than 800 SKU to meet your diverse needs and customized solution requirement. Miracle Sanitary Ware products is in modern and novel styles, which is certificated by Australia standard like water rating, watermark, SAA. They are cost-effective, durable and comfy to kitchen, bathroom application. Product Warrant comes in 5-15 years. They are the well-known brand in Australia and enjoy good reputation for more than 10 years. The annual growth rate exceeds 40% even in pandemic period from 2020-2022.

BATHROOM PRODUCT

BASIN TAPS

- 03** Basin Mixer
03-08
- 09** Wall Mixer With Spout
09-10
- 11** Wall Spout
11-12
- 13** Wall Mixer
13-17

BATHROOM SPARES

- 18** Shower Units & Accessories
18-37
- 38** Heated Tower Rail
38-41
- 42** Towel Rail & Ring
42-53
- 53** Soap Dish & Holder
53-54
- 54** Hardware Pendant & Hook
54-55
- 56** Paper Hook & Holder & Corner Shelf
56-58
- 59** Toilet Spray Kits
59-61
- 62** Grate Drain & Pop Up Waste
62-65
- 66** LED Mirror Light Led
66-72

KITCHEN PRODUCT

- 73** Kitchen Faucets
73-78
- 79** Kitchen Sinks
79-84

Contents.

Detailed
Classification Of
Products

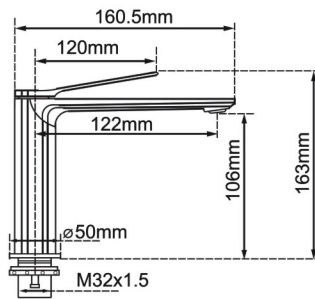


03

n1

Basin Mixer
Wall mixer with Spout
Wall Spout
Wall mixer

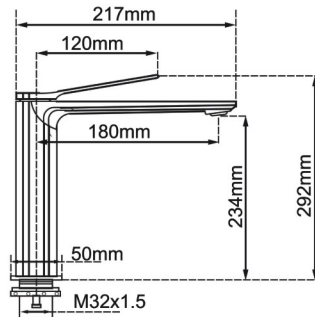




Basin Mixer

CH0128.BM/OX0128.BM/BUGM0128.BM/
BU0128.BM/BUYG0128.BM

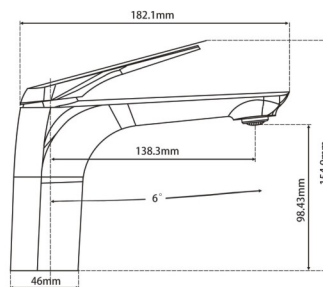
Finish: Chrome/Matte Black/Brushed Gunmetal Grey/
Brushed Nickel/Brushed Yellow Gold
Material: Brass
Weight: 1.25kg
Package Size: 29X22X8cm



Tall Basin Mixer

CH0149.BM/OX0149.BM/BUGM0149.BM/
BU0149.BM/BUYG0149.BM

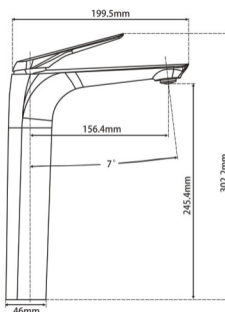
Finish: Chrome/Matte Black/Brushed Gunmetal Grey/
Brushed Nickel/Brushed Yellow Gold
Material: Brass
Weight: 2.0kg
Package Size: 44X21X8cm



Basin Mixer

CH0161.BM/OX0161.BM

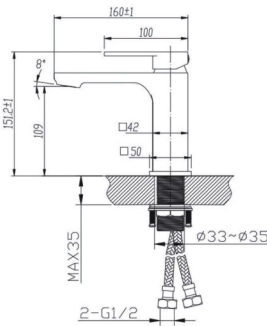
Finish: Chrome/Matte Black
Material: Brass
Weight: 1.2kg
Package Size: 29X22X8cm



Tall Basin Mixer

CH0160.BM/OX0160.BM

Finish: Chrome/Matte Black
Material: Brass
Weight: 2.0kg
Package Size: 42X22X8cm



Basin Mixer

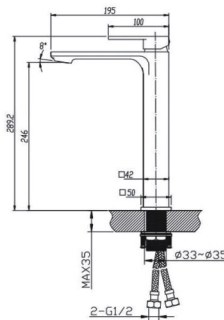
CH0222.BM/OX0222.BM

Finish: Chrome/Matte Black

Material: Brass

Weight: 1.25kg

Package Size: 29X22X8cm



Basin Mixer

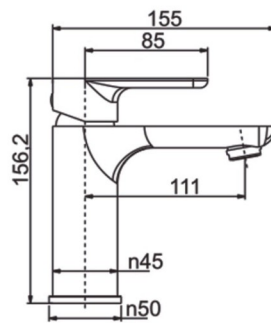
CH0229.BM/OX0229.BM

Finish: Chrome/Matte Black

Material: Brass

Weight: 2.0kg

Package Size: 44X21X8cm



Basin Mixer

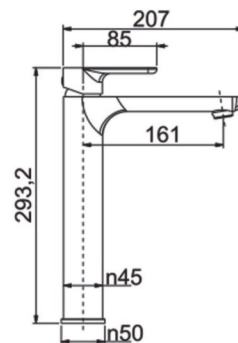
CH0131.BM/OX0131.BM/BU0131.BM

Finish: Chrome/Matte Black/Brushed Nickel

Material: Brass

Weight: 1.9kg

Package Size: 42.5X22X7.5cm



Tall Basin Mixer

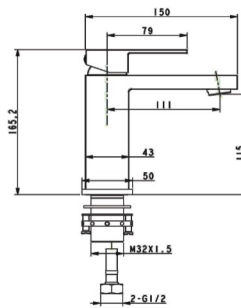
CH0152.BM/OX0152.BM/BU0152.BM

Finish: Chrome/Matte Black/Brushed Nickel

Material: Brass

Weight: 3.0kg

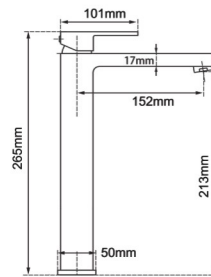
Package Size: 44X21X6cm



Basin Mixer

CH0138.BM/OX0138.BM

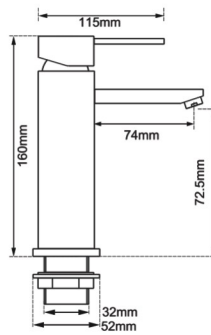
Finish: Chrome/Matte Black
Material: Brass
Weight: 1.65kg
Package Size: 29.5X22X8cm



Tall Basin Mixer

CH0148.BM/OX0148.BM

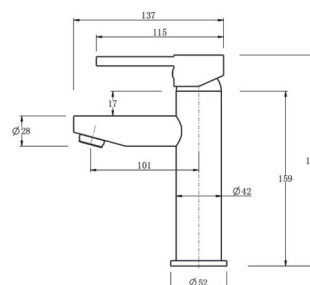
Finish: Chrome/Matte Black
Material: Brass
Weight: 2.4kg
Package Size: 42X22X7.5cm



Basin Mixer

CH0123.BM/OX0123.BM

Finish: Chrome/Matte Black
Material: Brass
Weight: 1.2kg
Package Size: 30.5X22.5X7.5cm

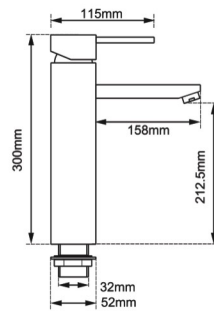


Basin Mixer

CH0123-H.BM/OX0123-H.BM

Finish: Chrome/Matte Black
Material: Brass
Weight: 1.3kg
Package Size: 38.5X22.5X7.5cm





Basin Mixer

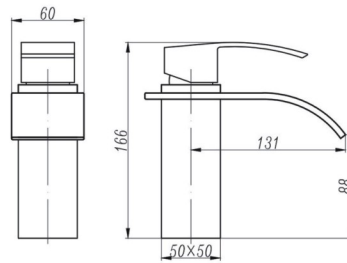
CH0120.BM/OX0120.BM

Finish: Chrome/Matte Black

Material: Brass

Weight: 1.5kg

Package Size: 44X21X6cm



Basin Mixer

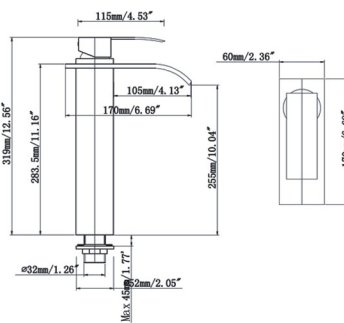
CH0110.BM/OX0110.BM

Finish: Chrome/Matte Black

Material: Brass

Weight: 1.65kg

Package Size: 38.5X18.5X10.5cm



Tall Basin Mixer

CH0110.BM/OX0110.BM

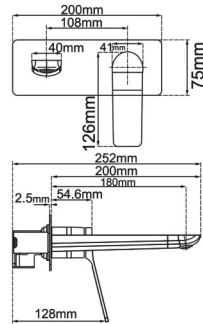
Finish: Chrome/Matte Black

Material: Brass

Weight: 1.65kg

Package Size: 38.5X18.5X10.5cm

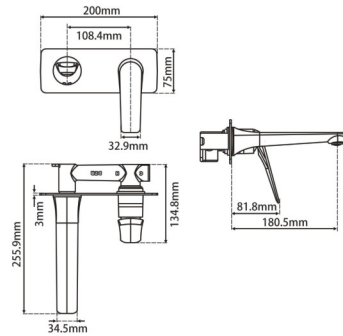




Wall Mixer With Spout

CH0153-2-EX.BM/OX0153-2-EX.BM/BU0153-2-EX.BM/BUGM0153-2-EX.BM/BUYG0153-2-EX.BM

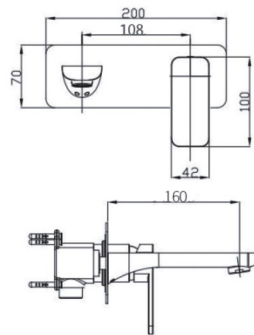
Finish: Chrome/Matte Black/Brushed Gunmetal Grey/
Brushed Nickel/Brushed Yellow Gold
Material: Brass
Weight: 2.0kg
Package Size: 29.5X22X8cm



Wall Mixer With Spout

CH0159.BM/OX0159.BM

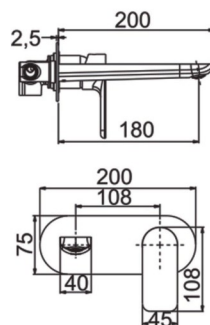
Finish: Chrome/Matte Black
Material: Brass
Weight: 2.0kg
Package Size: 30X22X8cm



Wall Mixer With Spout

CH0223-2-EX.BM/OX0223-2-EX.BM

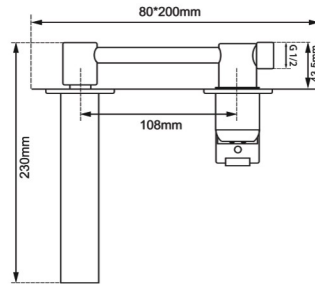
Finish: Chrome/Matte Black
Material: Brass
Weight: 2.0kg
Package Size: 29.5X22X8cm



Wall Mixer With Spout

CH0158-2.BM/OX0158-2.BM/BU0158-2.BM

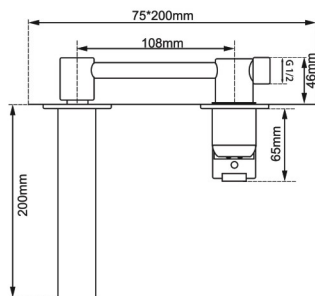
Finish: Chrome/Matte Black/Brushed Nickel
Material: Brass
Weight: 2.0kg
Package Size: 30.5X22.5X7.5cm



Wall Mixer With Spout

CH0113-2-EX.BM/OX0113-2-EX.BM

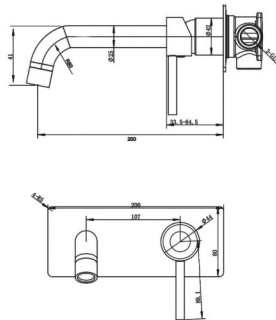
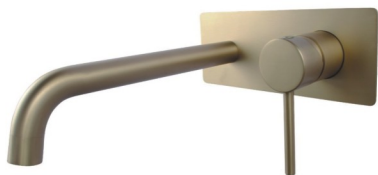
Finish: Chrome/Matte Black
Material: Brass
Weight: 2.1kg
Package Size: 29.5X22X8cm



Wall Mixer With Spout

CH0143-2-EX.BM/OX0143-2-EX.BM

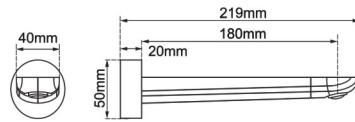
Finish: Chrome/Matte Black
Material: Brass
Weight: 2.0kg
Package Size: 30.5X22.5X7.5cm



Wall Mixer With Spout

BUYG0144-2.BM

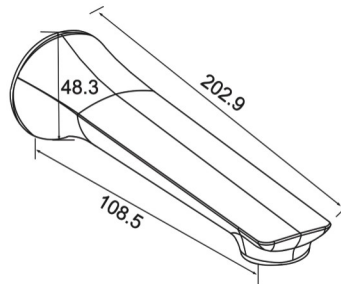
Finish: Brushed Yellow Gold
Material: Brass
Weight: 2.0kg
Package Size: 30.5X22.5X7.5cm



Wall Spout

CH0015.BS/OX0015.BS/BUGM0015.BS/BU0015.BS

Finish: Chrome/Matte/Black/
Brushed Gunmetal Grey/Brushed Nickel
Material: Brass
Weight: 0.6kg
Package Size: 24X7X6.5cm



Wall Spout

CH0016.BS/OX0016.BS

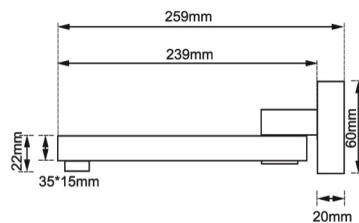
Finish: Chrome/Matte Black
Material: Brass
Weight: 0.5kg
Package Size: 24X7X6.5cm



Wall Spout

CH0220.BS/OX0220.BS

Finish: Chrome/Matte Black
Material: Brass
Weight: 0.6kg
Package Size: 24X7X6.5cm

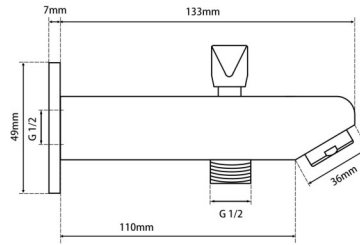


Swivel Wall Spout

CH0003.BS/OX0003.BS

Finish: Chrome/Matte Black
Material: Brass
Weight: 0.7kg
Package Size: 32X7X7cm





Wall Spout With Diverter

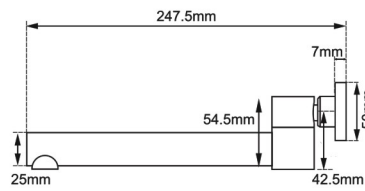
CH0011.BS/OX0011.BS

Finish: Chrome/Matte Black

Material: Brass

Weight: 0.7kg

Package Size: 33X7X7cm



Swivel Wall Spout

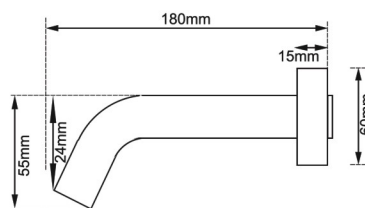
CH0004.BS/OX0004.BS

Finish: Chrome/Matte Black

Material: Brass

Weight: 0.7kg

Package Size: 32X7X7cm



Wall Spout

**CH0012.BS/OX0012.BS/BU0012.BS/
GM0012.BS/BUYG0012.BS**

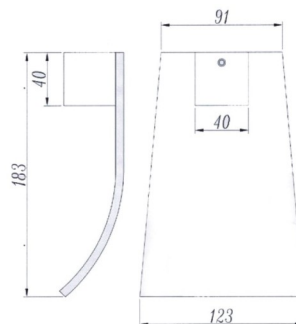
Finish: Chrome/Matte Black/Brushed Nickel/Gunmetal

Grey/Brushed Yellow Gold

Material: Brass

Weight: 0.3kg

Package Size: 33X7.5X7.5cm



Wall Spout

CH0005.BS/OX0005.BS/GM0005.BS

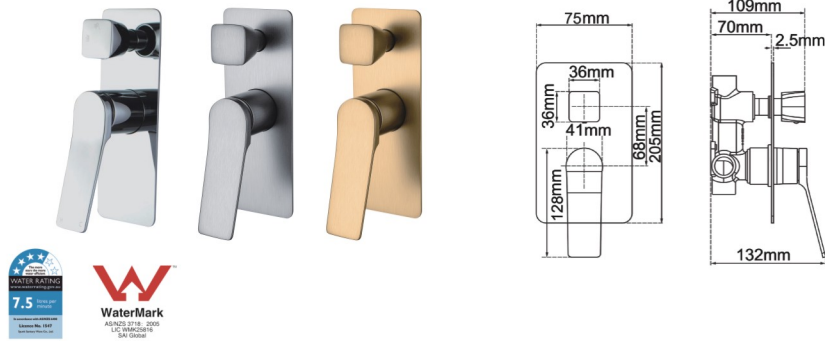
Finish: Chrome/Matte Black/Gunmetal Grey

Material: Brass

Weight: 2.0kg

Package Size: 21.5X14.5X6.5cm

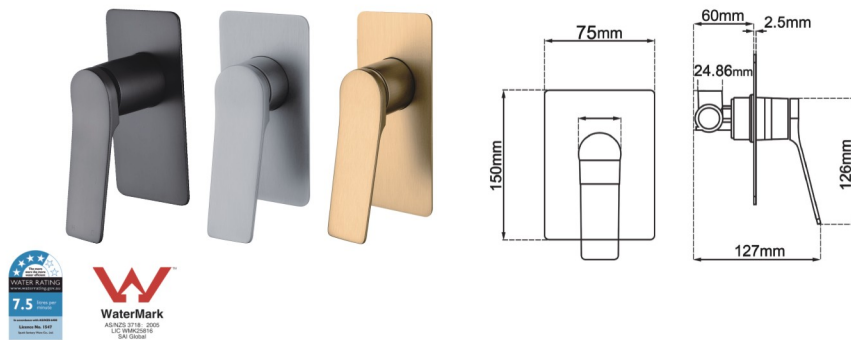




Wall Mixer With Diverter

**CH0155.ST/OX0155.ST/BUGM0155.ST/
BU0155.ST/BUYG0155-2.ST**

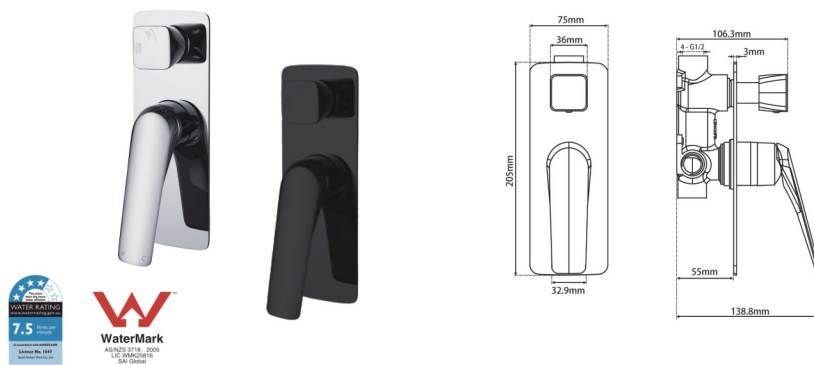
Finish: Chrome/Matte Black/Brushed Gunmetal Grey/
Brushed Nickel/Brushed Yellow Gold
Material: Brass
Weight: 1.75kg
Package Size: 23X17X11cm



Wall Mixer

**CH0156-2.ST/OX0156-2.ST/BUGM0156-2.ST/
BU0156-2.ST/BUYG0156-2.ST**

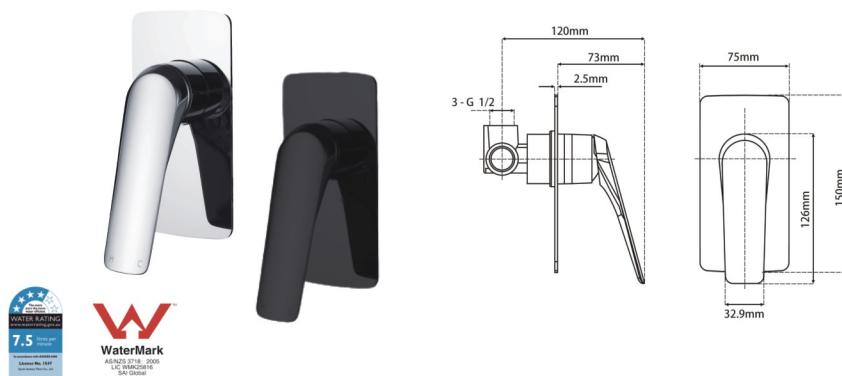
Finish: Chrome/Matte Black/Brushed Gunmetal Grey/
Brushed Nickel/Brushed Yellow Gold
Material: Brass
Weight: 1.75kg
Package Size: 23X17X11cm



Wall Mixer With Diverter

CH0166.ST/OX0166.ST

Finish: Chrome/Matte Black
Material: Brass
Weight: 2kg
Package Size: 21X9X11cm

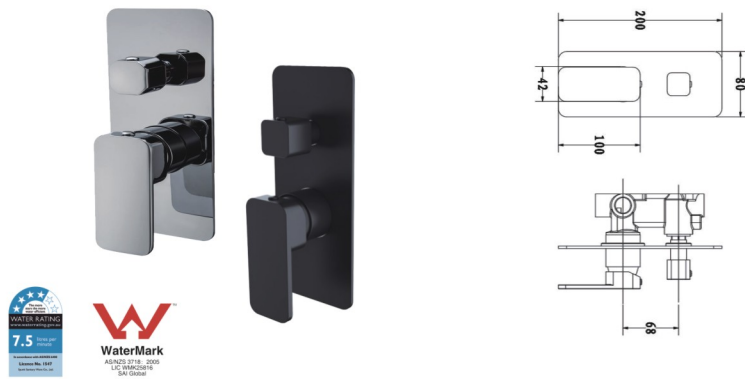


Wall Mixer

CH0164.ST/OX0164.ST

Finish: Chrome/Matte Black
Material: Brass
Weight: 1.75kg
Package Size: 16X9X11cm

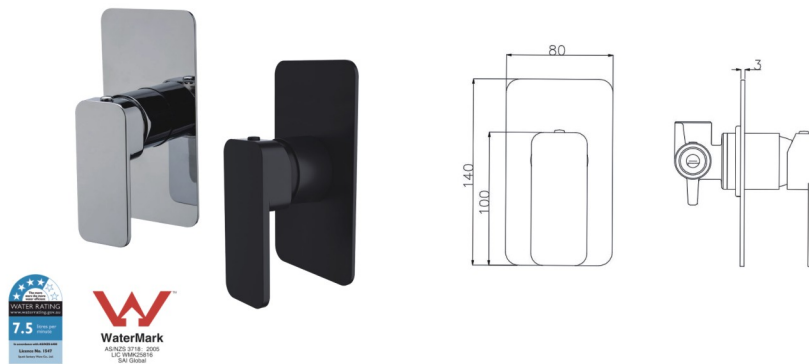




Wall Mixer With Diverter

CH0225-2.ST/OX0225-2.ST

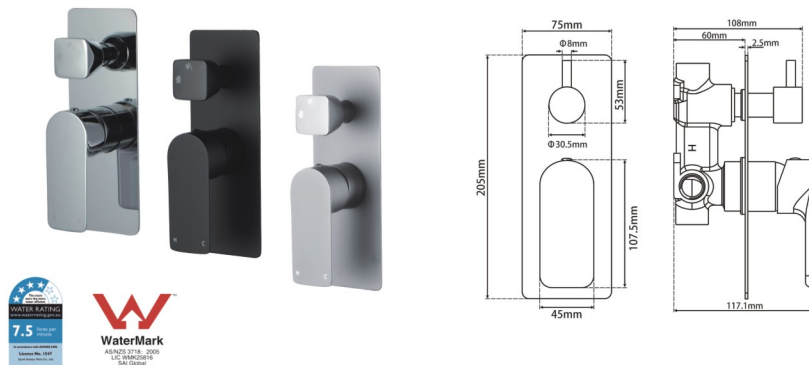
Finish: Chrome/Matte Black
Material: Brass
Weight: 1.75kg
Package Size: 23X17X11cm



Wall Mixer

CH0226-2.ST/OX0226-2.ST

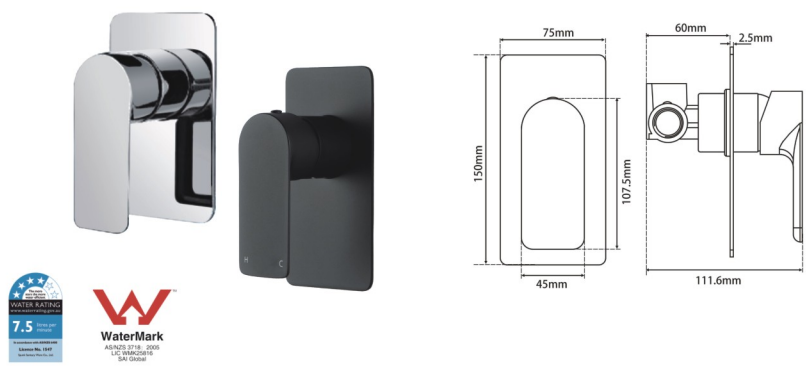
Finish: Chrome/Matte Black
Material: Brass
Weight: 1.75kg
Package Size: 23X17X11cm



Wall Mixer With Diverter

CH0165-2.ST/OX0165-2.ST/BU0165-2.ST

Finish: Chrome/Matte Black/Brushed Nickel
Material: Brass
Weight: 2kg
Package Size: 20X16.5X8cm

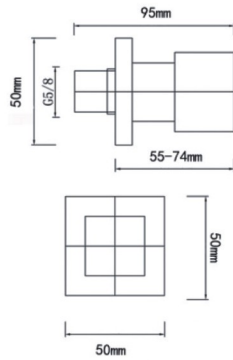


Wall Mixer

CH0167-2.ST/OX0167-2.ST/BU0167-2.ST

Finish: Chrome/Matte Black/Brushed Nickel
Material: Brass
Weight: 1kg
Package Size: 23X17X11cm

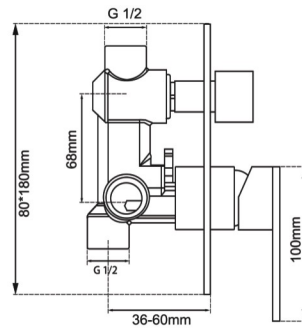




Shower Wall Taps

CH0001.ST

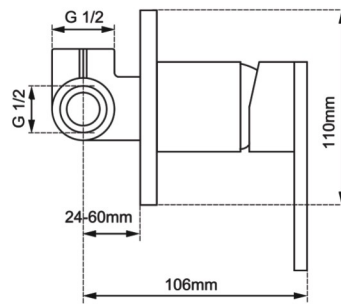
Finish: Chrome
Material: Brass
Weight: 0.9kg
Package Size: 16X14X6.5cm



Wall Mixer With Diverter

CH0115-2.ST/OX0115-2.ST

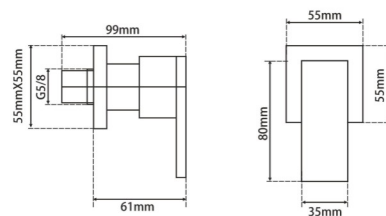
Finish: Chrome/Matte Black
Material: Brass
Weight: 1.95kg
Package Size: 20.5X16.5X8cm



Wall Mixer

CH0106-2.ST/OX0106-2.ST

Finish: Chrome/Matte Black
Material: Brass
Weight: 1.1kg
Package Size: 16X14X6.5cm

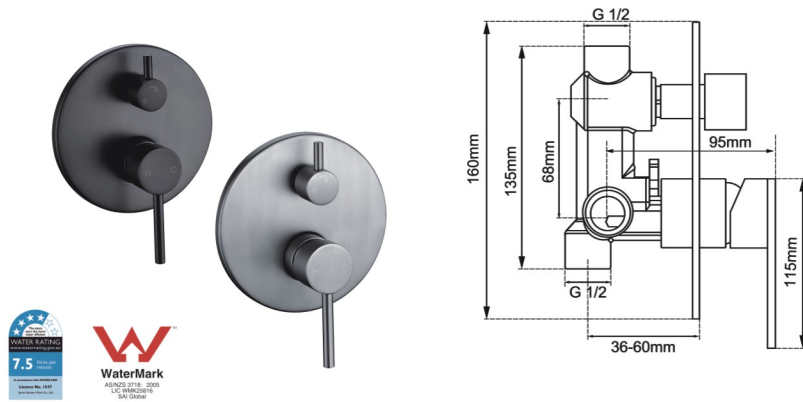


Shower Wall Taps

CH0002.ST/OX0002.ST

Finish: Chrome/Matte Black
Material: Brass
Weight: 1.3kg
Package Size: 16X14X7cm

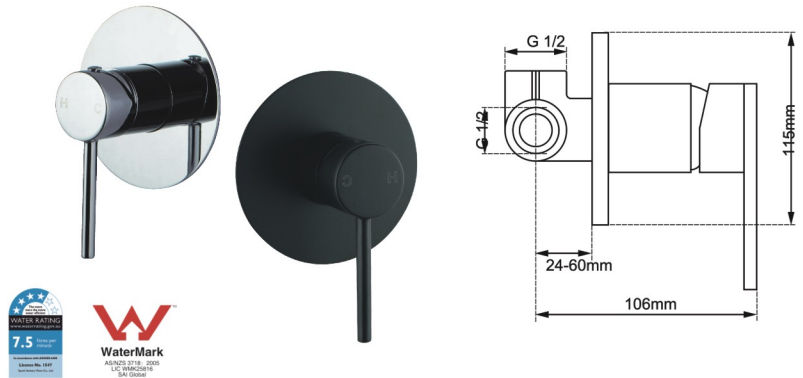




Wall Mixer With Diverter

CH0125-2.ST/OX0125-2.ST/BU0125-2.ST/
GM0125-2.ST/BUYG0125-2.ST

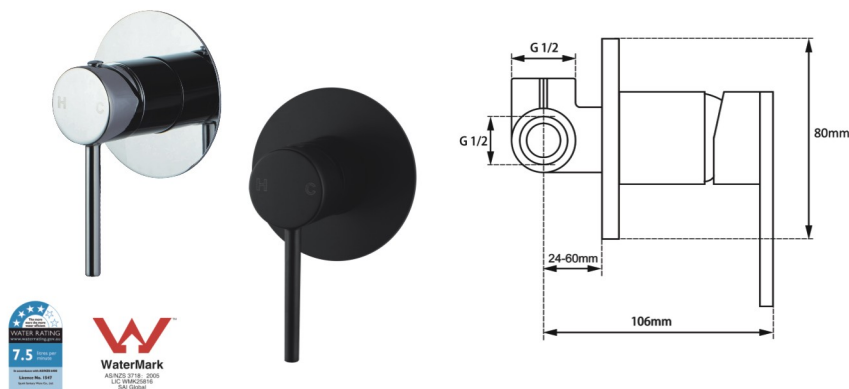
Finish: Chrome/Matte Black/Brushed Nickel/Gunmetal
Grey/Brushed Yellow Gold
Material: Brass
Weight: 2.0kg
Package Size: 21.5X17.5X8.5cm



Wall Mixer

CH0126-2.ST/OX0126-2.ST

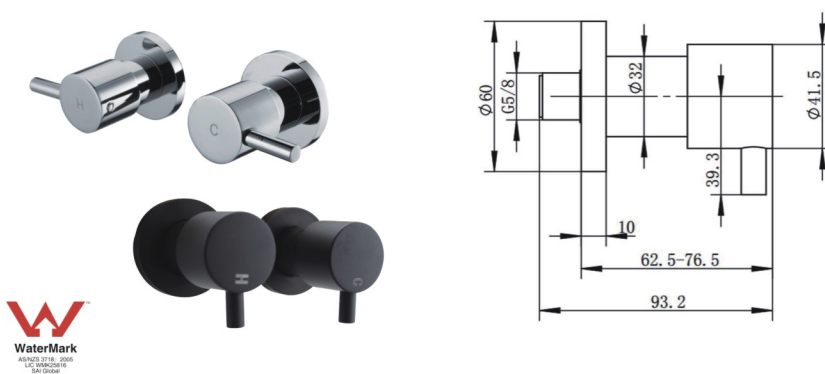
Finish: Chrome/Matte Black
Material: Brass
Weight: 0.8kg
Package Size: 16X14X6.5cm



Wall Mixer

CH0126-2-80.ST/OX0126-2-80.ST/
BUYG0126-2-80.ST

Finish: Chrome/Matte Black/Brushed Yellow Gold
Material: Brass
Weight: 0.8kg
Package Size: 16X14X6.5cm

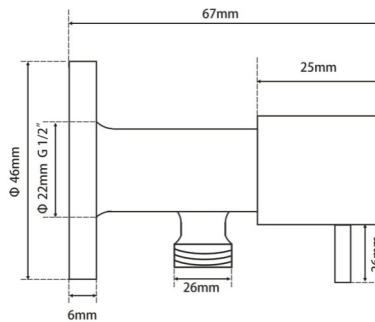


Wall Taps

CH0007.ST/OX0007.ST

Finish: Chrome/Matte Black
Material: Brass
Weight: 0.8kg
Package Size: 9.5X7.5X5cm

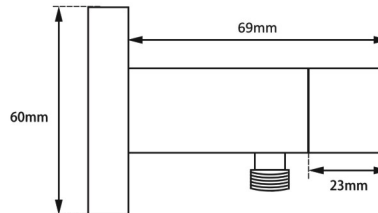




Washing Machine Taps

CH0016.WMT + CH0016.WMT/
OX0016.WMT + OX0016.WMT

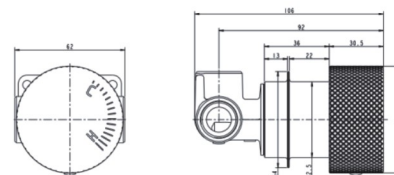
Finish: Chrome/Matte Black
Material: Brass
Weight: 0.5kg
Package Size: 20X14X10cm



Washing Machine Taps

CH0017.WMT + CH0017.WMT/
OX0017.WMT + OX0017.WMT

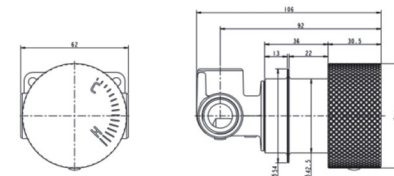
Finish: Chrome/Matte Black
Material: Brass
Weight: 0.5kg
Package Size: 20X14X10cm



Wall Mixer Handle

CH0169.HD/OX0169.HD/BU0169.HD/
BUYG0169.HD/BUGM0169.HD

Finish: Chrome/Matte Black/Brushed Nickel/
Brushed Yellow Gold/Brushed Gun Metal Grey
Material: Brass
Weight: 0.3kg
Package Size: 15X14X7.5cm



Wall Mixer Main Body

CLPW

Finish: Zn Plating
Material: Brass
Weight: 0.6kg
Package Size: 11X7X5cm

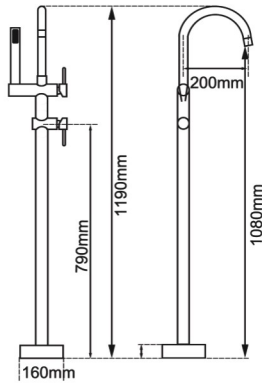


18

n2

Shower Units &
Accessories

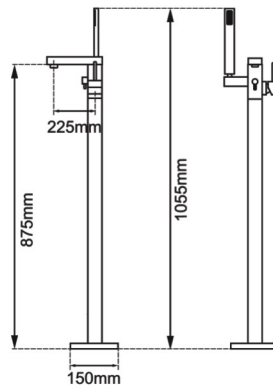




Note: With embedded box, which should be installed before flooring

**CH0116.BS/OX0116.BS/BU0116.BS/
GM0116.BS/BUYG0116.BS**

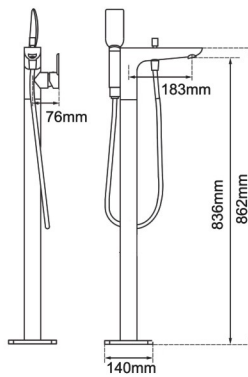
Finish: Chrome/Matte Black/ Brushed Nickel/
Gun Metal Grey/Brushed Yellow Gold
Material: Brass
Weight: 5.0kg
Package Size: 96X34.5X9cm



Note: With embedded box, which should be installed before flooring

**CH0117.BS/OX0117.BS/
GM0117.BS/BU0117.BS**

Finish: Chrome/Matte Black/ Brushed Nickel/
Gun Metal Grey
Material: Brass
Weight: 5.0kg
Package Size: 96X34.5X9cm

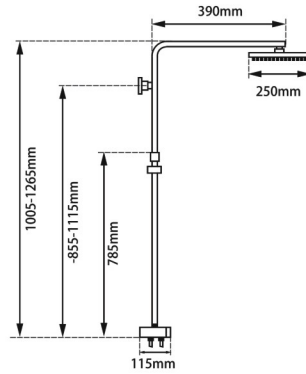


Note: With embedded box, which should be installed before flooring

CH0124.BS/OX0124.BS

Finish: Chrome/Matte Black
Material: Brass
Weight: 5.5kg
Package Size: 96X34.5X9cm

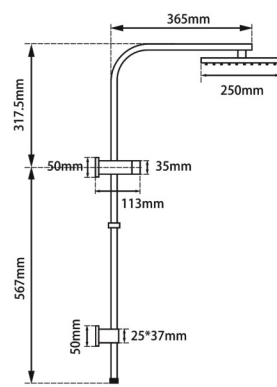




Please contact our sales team for the optional shower head/handheld shower price.

CH2125.SH.N+CH0002.SH+CH-S8.HHS
OX2125.SH.N+OX0002.SH+OX-S8.HHS
Shower Rail + Shower Head + Handheld Shower

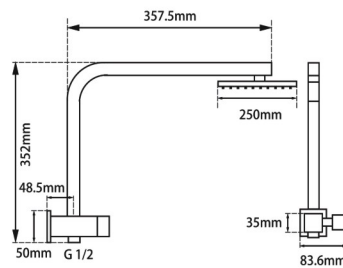
Universal Water Inlet
Finish: Chrome/Matte Black
Main Material: Brass & SS304
Weight: 5.0kg
Package Size: 101X51X15cm



Please contact our sales team for the optional shower head/handheld shower price.

CH2130.SH.N+CH0002.SH+CH-S8.HHS
OX2130.SH.N+OX0002.SH+OX-S8.HHS
GM2130.SH (with 10" brass head)
OXRG2130.SH (with 8" S/S head)
BU2130.SH.N+BU0002.SH+BU-S5.HHS
BUYG2130.SH-10(with 10" brass head)
Shower Rail + Shower Head + Handheld Shower

Top Water Inlet
Finish: Chrome/Matte Black/Gun Metal Grey/Matte Black & Rose Gold/Brushed Nickel/Brushed Yellow Gold
Main Material: Brass & SS304
Weight: 3.5kg
Package Size: 72X51X11cm



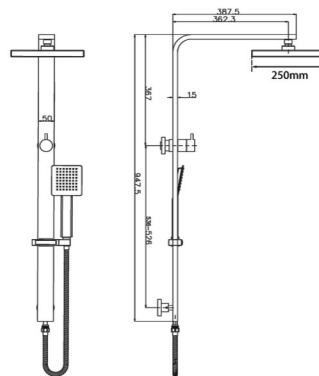
Please contact our sales team for the optional shower head/handheld shower price.

CH2140.SH.N+CH0002.SH+CH-S8.HHS
OX2140.SH.N+OX0002.SH+OX-S8.HHS
OXRG2140.SH (Shower Set)
Shower Rail + Shower Head + Handheld Shower

Top Water Inlet
Finish: Chrome/Matte Black/Matte Black & Yellow Gold
Main Material: Brass & SS304
Weight: 2.85kg
Package Size: 41.5X34.5X9cm



50mm Wide rail

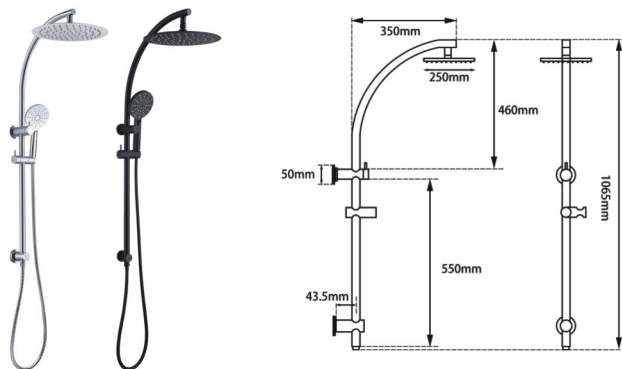


Please contact our sales team for the optional shower head/handheld shower price.

CH2150.SH.N+CH0002.SH+CH-S8.HHS
OX2150.SH.N+OX0002.SH+OX-S8.HHS
Shower Rail + Shower Head + Handheld Shower

Top Water Inlet
Finish: Chrome/Matte Black
Main Material: Brass & SS304
Weight: 5.5kg
Package Size: 27X14.5X7.5cm

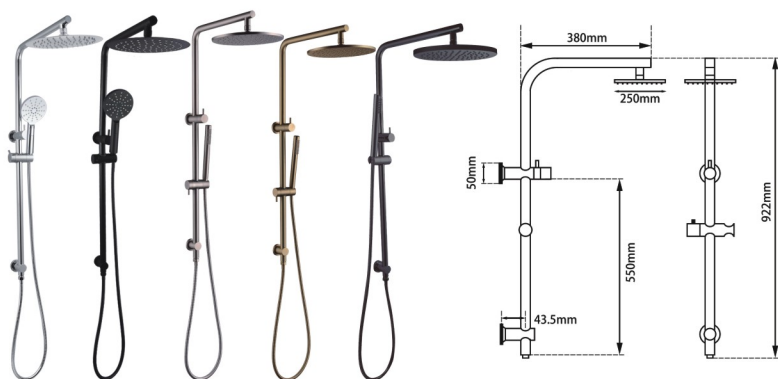




Please contact our sales team for the optional shower head/handheld shower price.

CH2128.SH.N+CH0007.SH+CH-R11.HHS
OX2128.SH.N+OX0007.SH+OX-R11.HHS
Shower Rail + Shower Head + Handheld Shower

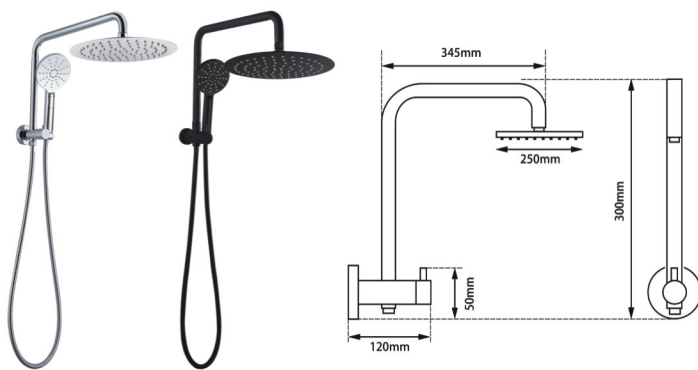
Top Water Inlet
Finish: Chrome/Matte Black
Main Material: Brass & SS304
Weight: 3.4kg
Package Size: 72X51X11cm



Please contact our sales team for the optional shower head/handheld shower price.

CH2128-A.SH.N+CH0007.SH+CH-R11.HHS
OX2128-A.SH.N+OX0007.SH+OX-R11.HHS
BU2128-A.SH-10(with 10" brass head)
GM2128-A.SH-10(with 10" brass head)
BUYG2128-A.SH-10(with 10" brass head)
Shower Rail + Shower Head + Handheld Shower

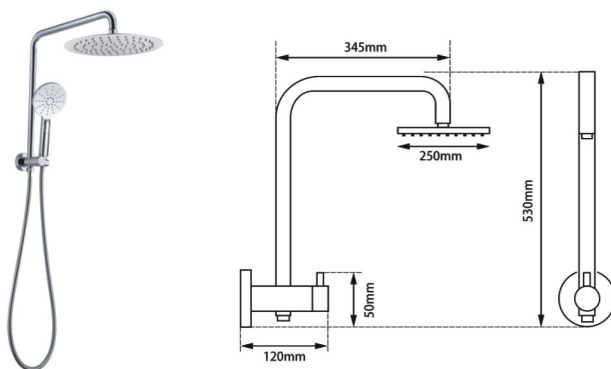
Top Water Inlet
Finish: Chrome/Matte Black/Brushed Nickel/Gun Metal Grey/
Brushed Yellow Gold
Main Material: Brass & SS304
Weight: 3.55kg
Package Size: 72X51X11cm



Please contact our sales team for the optional shower head/handheld shower price.

CH2138.SH.N+CH0007.SH+CH-R11.HHS
OX2138.SH.N+OX0007.SH+OX-R11.HHS
Shower Rail + Shower Head + Handheld Shower

Top Water Inlet
Finish: Chrome/Matte Black
Main Material: Brass & SS304
Weight: 1.9kg
Package Size: 57X45.1X8.5cm

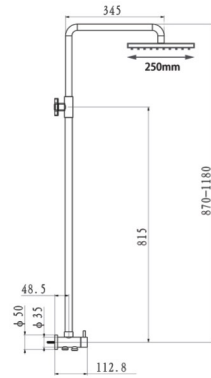


Please contact our sales team for the optional shower head/handheld shower price.

CH2138-L.SH.N+CH0007.SH+CH-R11.HHS
Shower Rail + Shower Head + Handheld Shower

Top Water Inlet
Finish: Chrome
Main Material: Brass & SS304
Weight: 1.9kg
Package Size: 57X45.1X8.5cm

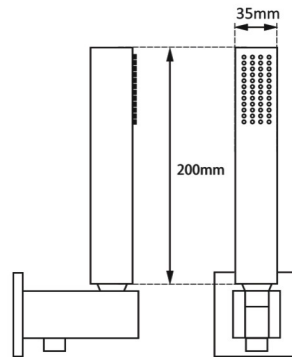
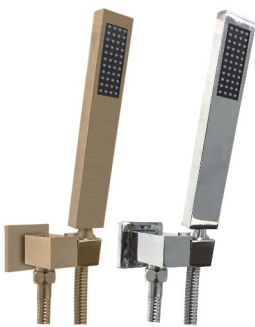




Please contact our sales team for the optional shower head/handheld shower price.

CH2152.SH.N+CH0007.SH+CH-R11.HHS
OX2152.SH.N+OX0007.SH+OX-R11.HHS
Shower Rail+Shower Head+Handheld Shower

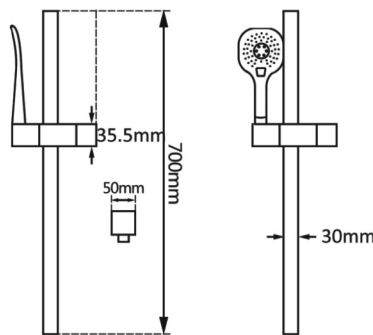
Top Water Inlet
Finish: Chrome/Matte Black
Main Material: Brass & SS304
Weight: 3.5kg
Package Size: 101X51X15cm



Please contact our sales team for the optional shower head/handheld shower price.

CH2127.SH.N+CH-S5.HHS
OX2127.SH.N+OX-S5.HHS
BUYG2127.SH
Shower Bracket + Handheld Shower

Top Water Inlet
Finish: Chrome/Matte Black/Brushed Yellow Gold
Main Material: Brass & SS304
Weight: 1.0kg
Package Size: 27X14.5X7.5cm



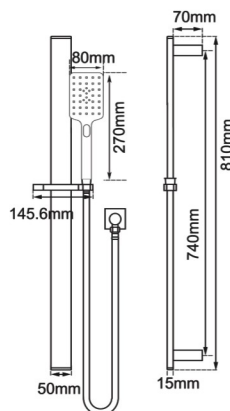
Please contact our sales team for the optional shower head/handheld shower price.

CH2145.SH.N+CH-S8.HHS
OX2145.SH.N+OX-S8.HHS
Shower Rail+ Handheld Shower

3 Functions Hand Shower
Finish: Chrome/Matte Black
Main Material: Brass & SS304
Weight: 3.0kg
Package Size: 75X15.5X9.5cm



50mm Wide rail

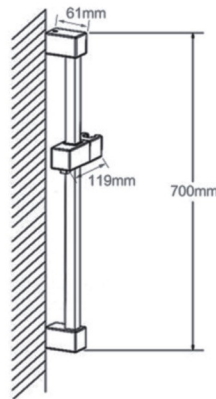


Please contact our sales team for the optional shower head/handheld shower price.

CH2149.SH.N+CH-S8.HHS
OX2149.SH.N+OX-S8.HHS
Shower Rail+ Handheld Shower

3 Functions Hand Shower
Finish: Chrome/Matte Black
Main Material: Brass & SS304
Weight: 3.0kg
Package Size: 75X15.5X9.5cm

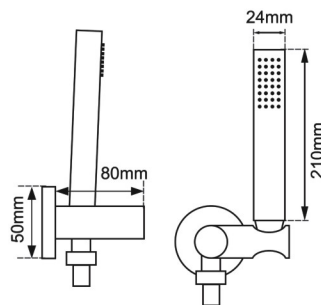




Please contact our sales team for the optional shower head/handheld shower price.

CH2137.SH.N+CH-S5.HHS
BU2137.SH.N+BU-S5.HHS
Shower Rail+ Handheld Shower

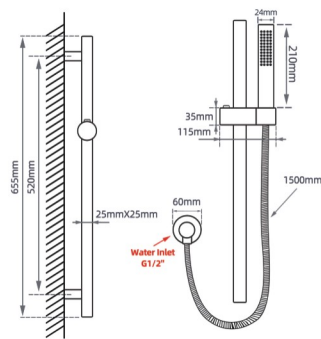
3 Functions Hand Shower
Finish: Chrome/Brushed Nickel
Main Material: Brass & SS304
Weight: 3.5kg
Package Size: 101X51X15cm



Please contact our sales team for the optional shower head/handheld shower price.

CH2131.SH.N+CH-R2.HHS
OX2131.SH.N+OX-R2.HHS
BU2131.SH / BUYG2131.SH / GM2131.SH
Shower Bracket + Handheld Shower

Finish: Chrome/Matte Black/Brushed Nickel/
Brushed Yewllow Gold/Gun Metal Grey
Main Material: Brass
Weight: 1.0kg
Package Size: 20.5X16.5X8.5cm

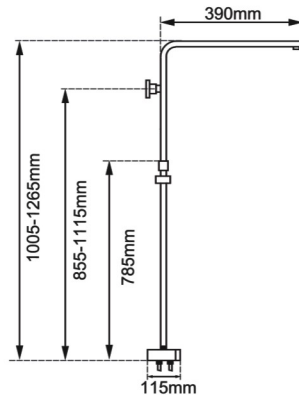


Please contact our sales team for the optional shower head/handheld shower price.

CH2147-1.SH.N+CH-R2.HHS
BU2147-1.SH / BUYG2147-1.SH / GM2147-1.SH
Shower Rail+ Handheld Shower

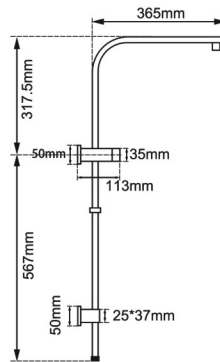
Finish: Chrome/Brushed Nickel/Brushed Yellow Gold/
Gun Metal Grey
Main Material: Brass & ABS
Weight: 0.7kg
Package Size: 69.5X23X6cm





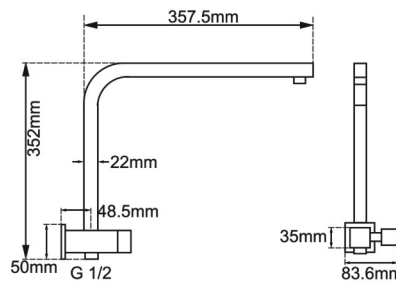
CH2125.SH.N/OX2125.SH.N

Universal Water Inlet
Finish: Chrome/Matte Black
Main Material: Brass & SS304
Weight: 3.5kg
Package Size: 101X51X15cm



**CH2130.SH.N/OX2130.SH.N
BU2130.SH.N/GM2130.SH.N**

Top Water Inlet
Finish: Chrome/Matte Black/
Brushed Nickel/Gun Metal Grey
Main Material: Brass & SS304
Weight: 3.2kg
Package Size: 72X51X11cm

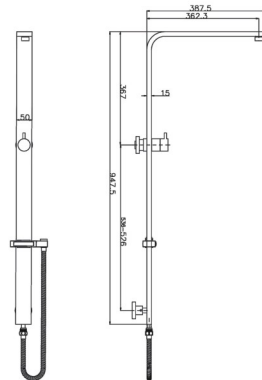


CH2140.SH.N/OX2140.SH.N

Top Water Inlet
Finish: Chrome/Matte Black
Main Material: Brass & SS304
Weight: 2.1kg
Package Size: 41.5X34.5X9cm



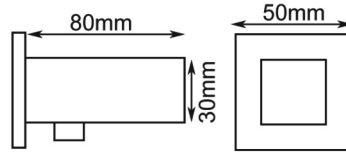
50mm Wide rail



CH2150.SH.N/OX2150.SH.N

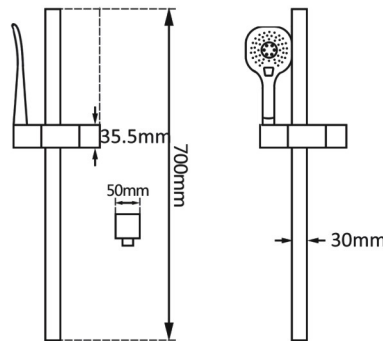
Top Water Inlet
Finish: Chrome/Matte Black
Main Material: Brass
Weight: 4.0kg
Package Size: 27X14.5X7.5cm





**CH2127.SH.N/OX2127.SH.N/
BU2127.SH.N/GM2127.SH.N**

Finish: Chrome/Matte Black/
Brushed Nickel/Gun Metal Grey
Main Material: Brass & SS304
Weight: 0.8kg
Package Size: 27X14.5X7.5cm

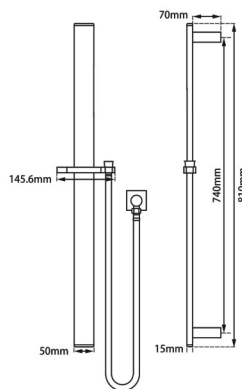


CH2145.SH.N/OX2145.SH.N

Top Water Inlet
Finish: Chrome/Matte Black
Main Material: Brass & Ss304
Weight: 2.5kg
Package Size: 75X15.5X9.5cm

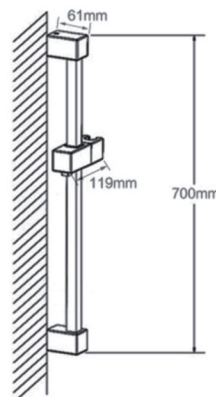


50mm Wide rail



**CH2149.SH.N/OX2149.SH.N
GM2149.SH.N**

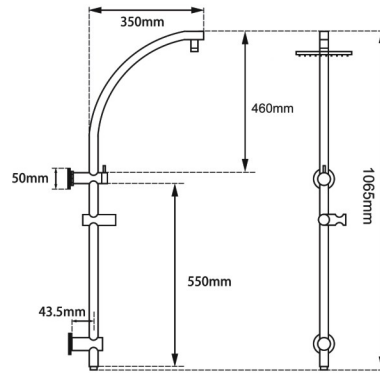
Wide Shower Rail
Finish: Chrome/Matte Black/Gun Metal Grey
Main Material: Brass & SS304
Weight: 2.5kg
Package Size: 75X15.5X9.5cm



CH2137.SH.N/BU2137.SH.N

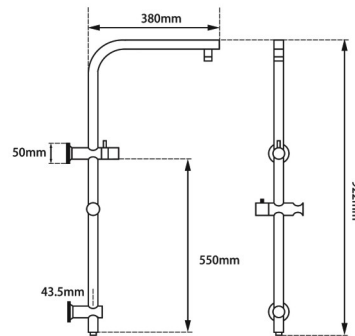
Finish: Chrome/Brushed Nickel
Main Material: Brass & SS304
Weight: 1.3kg
Package Size: 78X14X10cm





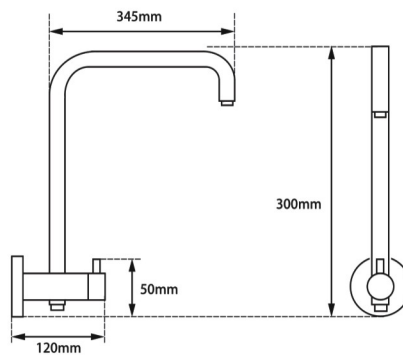
CH2128.SH.N/OX2128.SH.N

Top Water Inlet
Finish: Chrome/Matte Black
Main Material: Brass & SS304
Weight: 3.1kg
Package Size: 72X51X11cm



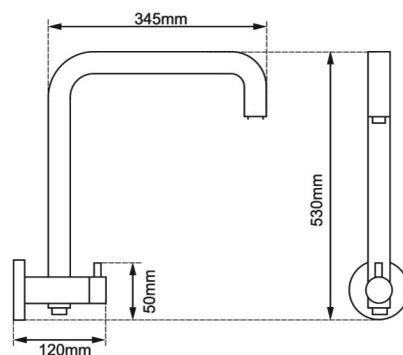
CH2128-A.SH.N/OX2128-A.SH.N

Top Water Inlet
Finish: Chrome/Matte Black
Main Material: Brass & Ss304
Weight: 3.1kg
Package Size: 72X51X11cm



CH2138.SH.N/OX2138.SH.N

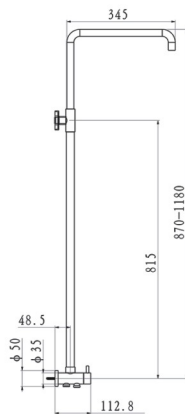
Top Water Inlet
Finish: Chrome/Matte Black
Main Material: Brass & SS304
Weight: 2.0kg
Package Size: 57X45.1X8.5cm



CH2138-L.SH.N

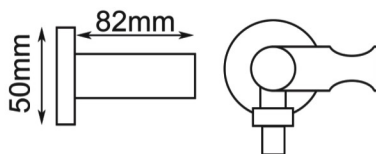
Top Water Inlet
Finish: Chrome
Main Material: Brass & SS304
Weight: 2.0kg
Package Size: 57X45.1X8.5cm





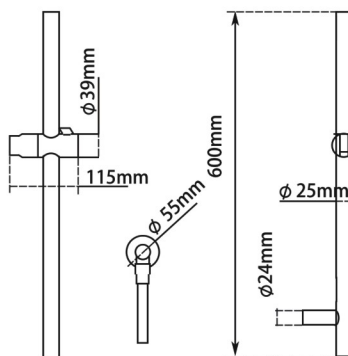
CH2152.SH.N/OX2152.SH.N

Universal Water Inlet
Finish: Chrome/Matte Black
Main Material: Brass & SS304
Weight: 3.5kg
Package Size: 101X51X15cm



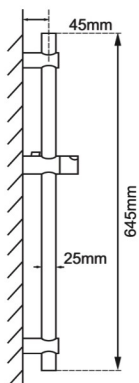
CH2131.SH.N/OX2131.SH.N

Finish: Chrome/Matte Black
Main Material: Brass
Weight: 0.6kg
Package Size: 20.5X16.5X8.5cm



CH2147-1.SH.N

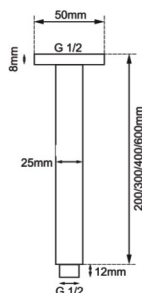
Finish: Chrome
Main Material: Brass & ABS
Weight: 0.6kg
Package Size: 69.5X23X6cm



OX2146.SH.N

Finish: Matte Black
Main Material: Brass & ABS
Weight: 0.6kg
Package Size: 66.5X13X6cm

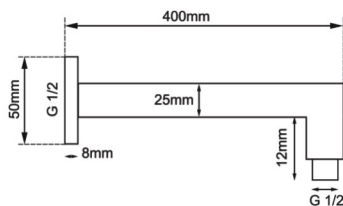




Square Ceiling Shower Arm

CH0103.SA/OX0103.SA/CH0126.SA/OX0126.SA
CH0117.SA/OX0117.SA/CH0106.SA/OX0106.SA
GM0126.SA/GM0106.SA/BU0103.SA/BU0126.SA
BU0117.SA/BU0106.SA

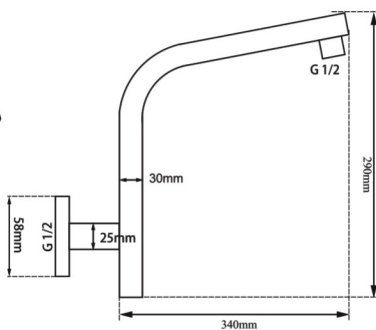
Finish: Chrome/Matte Black/Gun Metal Grey/
Brushed Nickel
Material: Brass
Weight: 0.25/0.4/0.55kg
Package Size: 20/30/40/60cm



Straight Wall Shower Arm

CH0104.SA/OX0104.SA

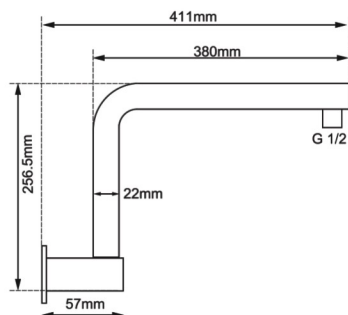
Finish: Chrome/Matte Black
Material: Brass
Weight: 0.45kg
Package Size: 44X8X5cm



Gooseneck Wall Shower Arm

CH0129.SA/OX0129.SA/GM0129.SA

Finish: Chrome/Matte Black/Gun Metal Grey
Material: SS304
Weight: 0.45kg
Package Size: 48X18X4cm



Swivel Wall Shower Arm

BU1000.SA

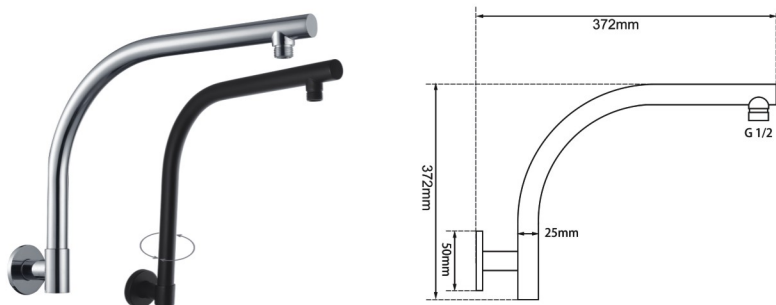
Finish: Brushed Nickel
Material: Brass
Weight: 0.8kg
Package Size: 52.5X29.5X4.5cm



Round Ceiling Shower Arm

CH0105.SA/OX0105.SA/CH0125.SA/OX0125.SA/
CH0120.SA/OX0120.SA/GM0120.SABUYG0120.SA/
CH0121.SA/OX0121.SA

Finish: Chrome/Matte Black/Gun Metal Grey/
Brushed Yellow Gold
Material: SS304
Weight: 0.3/0.5kg
Package Size: 20/30/40/60cm



Swivel Wall Shower Arm

CH0128.SA/OX0128.SA

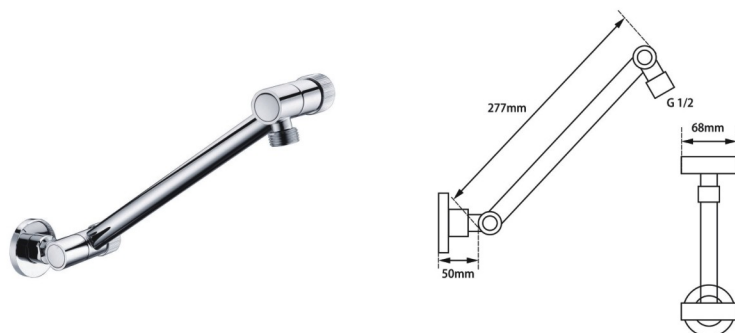
Finish: Chrome/Matte Black
Material: Brass
Weight: 0.8kg
Package Size: 52X30X4cm



Straight Wall Shower Arm

CH0108.SA/OX0108.SA

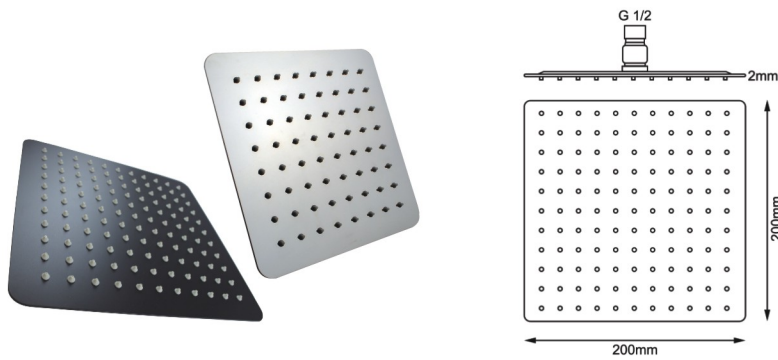
Finish: Chrome/Matte Black
Material: Brass
Weight: 0.6kg
Package Size: 46X25X4cm



Swivel Wall Shower Arm

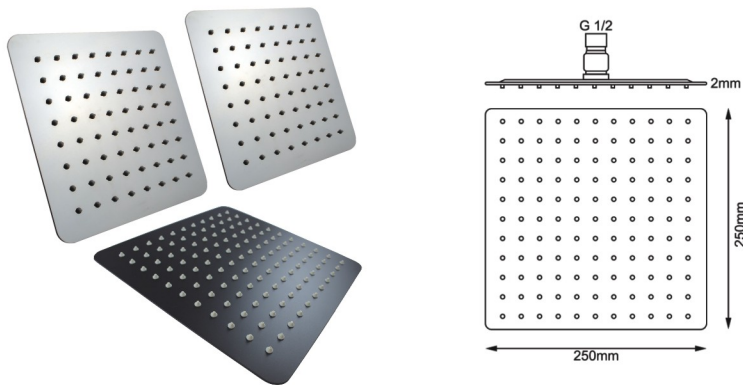
CH0109.SA

Finish: Chrome
Material: Brass
Weight: 0.6kg
Package Size: 46X25X4cm



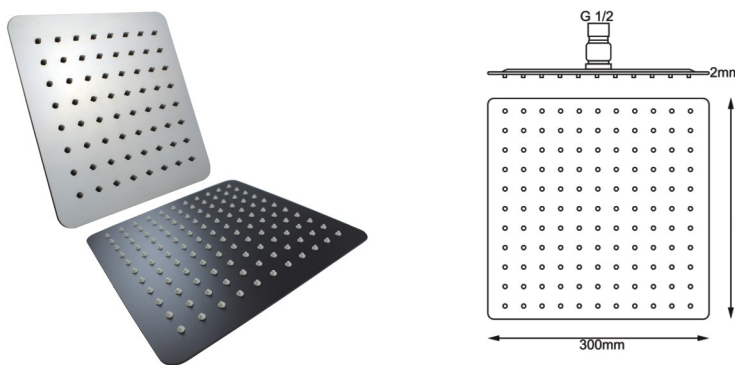
CH0100.SH/OX0100.SH/RG0100.SH

Finish: Chrome/Matte Black/Rose Gold
Material: SS304
Weight: 0.85kg
Package Size: 22X22X7cm



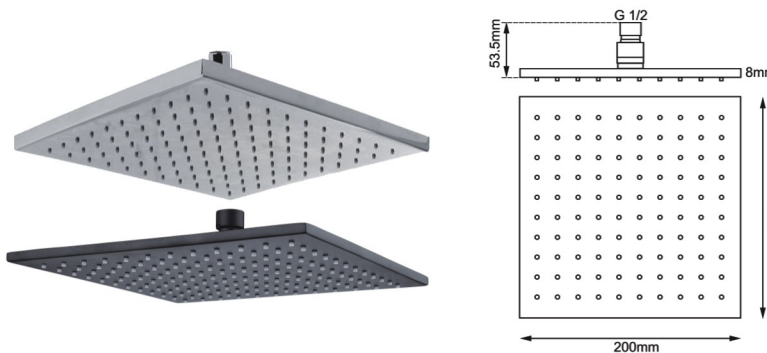
CH0002.SH/OX0002.SH/BU0002.SH

Finish: Chrome/Matte Black/Brushed Nickel
Material: SS304
Weight: 1.2kg
Package Size: 28X28X7cm



CH0003.SH/OX0003.SH

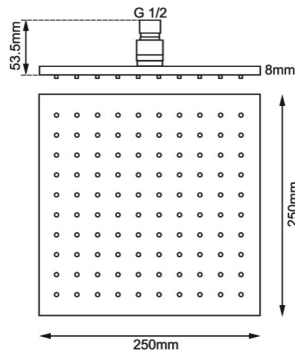
Finish: Chrome/Matte Black
Material: SS304
Weight: 1.9kg
Package Size: 32X32X7cm



CH0134.SH/OX0134.SH

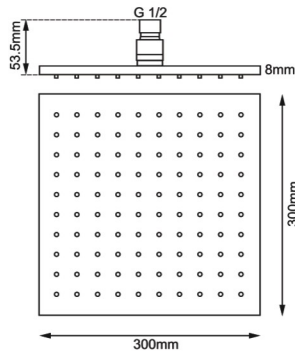
Finish: Chrome/Matte Black
Material: Brass
Weight: 1.5kg
Package Size: 20X20X8.5cm





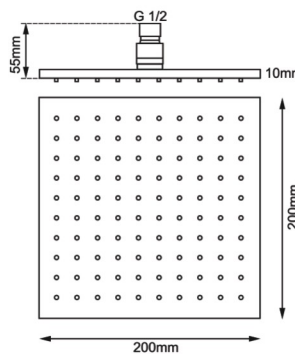
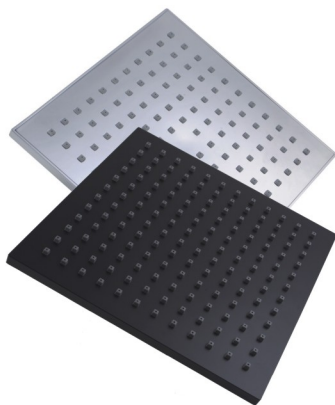
CH0135.SH/OX0135.SH/GM0135.SH

Finish: Chrome/Matte Black/Gun Metal Grey
Material: Brass
Weight: 2.0kg
Package Size: 25X25X8.5cm



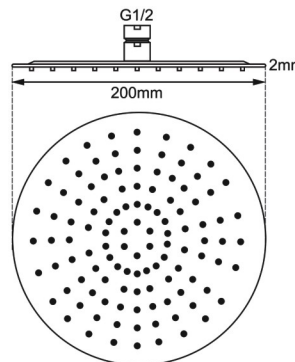
CH0133.SH/OX0133.SH

Finish: Chrome/Matte Black
Material: Brass
Weight: 3.0kg
Package Size: 33X33X7.5cm



CH0115.SH/OX0115.SH

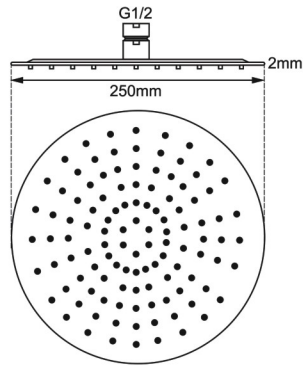
Finish: Chrome/Matte Black
Material: ABS
Weight: 0.45kg
Package Size: 21X21X7cm



CH0119.SH/OX0119.SH

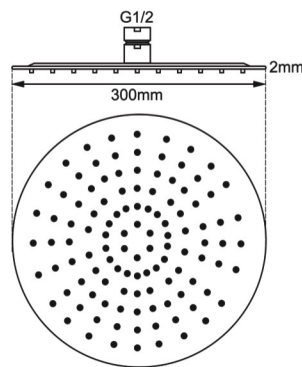
Finish: Chrome/Matte Black
Material: SS304
Weight: 0.8kg
Package Size: 20X20X8.5cm





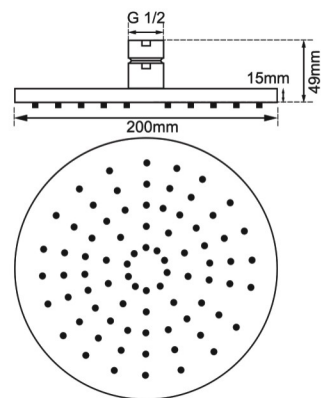
CH0007.SH/OX0007.SH

Finish: Chrome/Matte Black
Material: SS304
Weight: 1.05kg
Package Size: 27X27X7cm



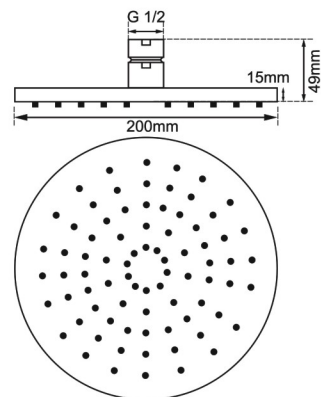
CH0008.SH/OX0008.SH

Finish: Chrome/Matte Black
Material: SS304
Weight: 1.9kg
Package Size: 32X32X7cm



CH0102.SH

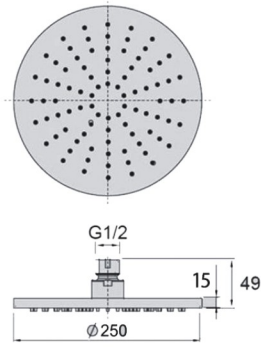
Finish: Chrome
Material: ABS
Weight: 0.4kg
Package Size: 22X22X7.5cm



OX0102.SH

Finish: Matte Black
Material: ABS
Weight: 0.4kg
Package Size: 22X22X7.5cm





BUYG0010.SH

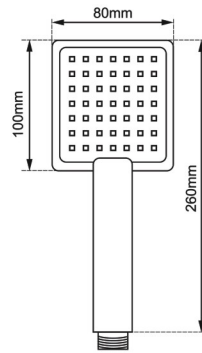
Finish: Brushed Yellow Gold

Material: Solid Brass

Weight: 1.0kg

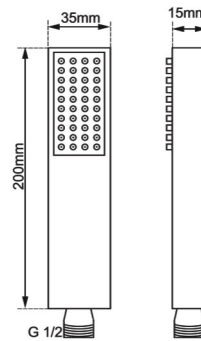
Package Size: 26X26X10cm





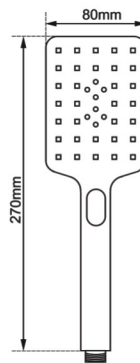
CH-S2.HHS/OX-S2.HHS

Square Hand Shower
Finish: Chrome/Matte Black
Material:ABS
Weight: 0.2kg
Package Size: 28X12X10cm



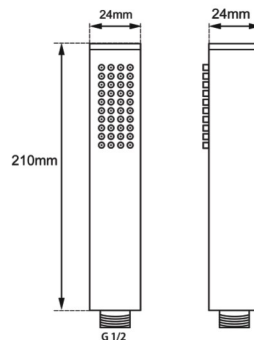
**CH-S5.HHS/OX-S5.HHS/
BU-S5.HHS/GM-S5.HHS**

Square Hand Shower
Finish: Chrome/Matte Black/
Brushed Nickel/Gun Metal Grey
Material:Brass
Weight: 0.8kg
Package Size: 22X5X5cm



**CH-S8.HHS/OX-S8.HHS/
BU-S8.HHS/GM-S8.HHS**

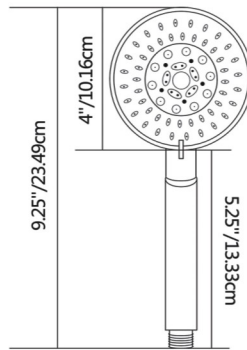
3 Functions Hand Shower
Finish: Chrome/Matte Black/
Brushed Nickel/Gun Metal Grey
Material:ABS
Weight: 1.0kg
Package Size: 28X9X5cm



CH-R2.HHS/OX-R2.HHS

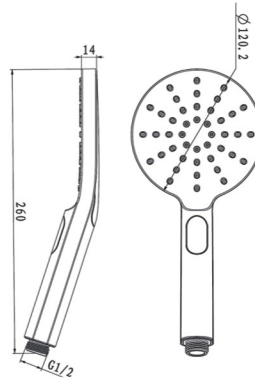
Round Hand Shower
Finish: Chrome/Matte Black
Material:Brass
Weight: 0.8kg
Package Size: 22X3X3cm





CH-R4.HHS/OX-R4.HHS

5 Functions Hand Shower
Finish: Chrome/Matte Black
Material:ABS
Weight: 0.2kg
Package Size: 25X12X5.5cm



**CH-R11.HHS/OX-R11.HHS/
BU-R11.HHS/GM-R11.HHS**

3 Functions Hand Shower
Finish: Chrome/Matte Black/
Brushed Nickel/Gun Metal Grey
Material:ABS
Weight: 0.8kg
Package Size: 22X3X3cm





PVC/PVCB

PVC Shower Hose
Finish: Chrome/Matte Black
Material:PVC
Weight: 0.1kg
Size: 150cm



PVCBU/PVCGM

PVC Shower Hose
Finish: Brushed Nickel/Gun Metal Grey
Material:PVC
Weight: 0.1kg
Size: 150cm



H150/SH150-B

Flexible Shower Hose
Finish: Chrome/Matte Black
Material:SS304
Weight: 0.1kg
Size: 150cm



SH150BU/SH150GM/SH150-BUYG

Flexible Shower Hose
Finish: Brushed Nickel/Gun Metal Grey/
Brushed Yellow Gold
Material:SS304
Weight: 0.1kg
Size: 150cm



CH1500-2125.SH/OX1500-2125.SH

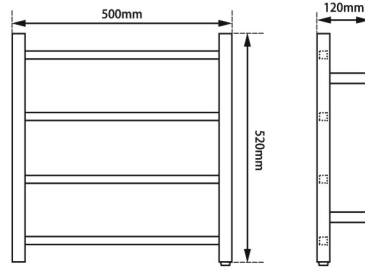
Water Inlet/Outlet Shower Hose
Finish: Chrome/Matte Black
Material:SS304
Weight: 0.1kg
Size: 150cm





n3

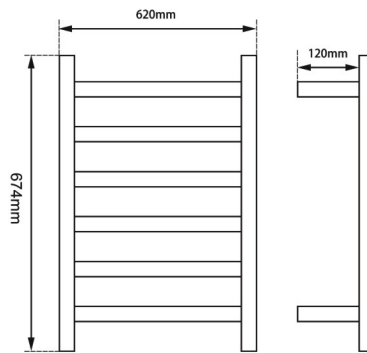
Heated
Tower Rail



**Square Heated Towel Rail 4 Bars(Exposed/
Concealed Power Cord)**

**CH04.S.HTR/OX04.S.HTR/
BUGM04.R.HTR/BUYG04.R.HTR**

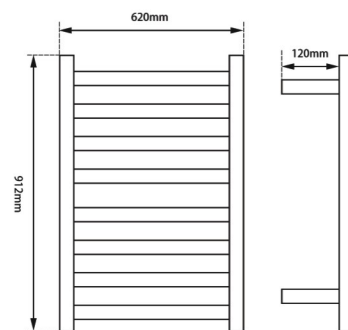
Top/Bottom/Left/Right Plug
Finish: Chrome/Matte Black/Brushed Gun
Metal Grey/Brushed Yellow Gold
Main Material: SS304
Weight: 3.0kg
Package Size: 56X54X10cm



**Square Heated Towel Rail 6 Bars(Exposed/
Concealed Power Cord)**

**CH06.S.HTR/OX06.S.HTR/BU06.S.HTR
BUGM06.S.HTR/BUYG06.S.HTR**

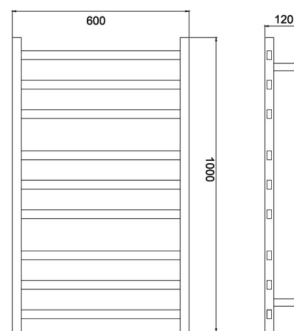
Top/Bottom/Left/Right Plug
Finish: Chrome/Matte Black/Brushed Nickel/
Brushed Gun Metal Grey/Brushed Yellow Gold
Main Material: SS304
Weight: 4.5kg
Package Size: 66X71X10cm



**Square Heated Towel Rail 8 Bars(Exposed/
Concealed Power Cord)**

CH08.S.HTR/OX08.S.HTR

Top/Bottom/Left/Right Plug
Finish: Chrome/Matte Black
Main Material: SS304
Weight: 5.4kg
Package Size: 95X65X7.5cm



**Square Heated Towel Rail 9 Bars(Exposed/
Concealed Power Cord)**

CH09.S.HTR/OX09.S.HTR

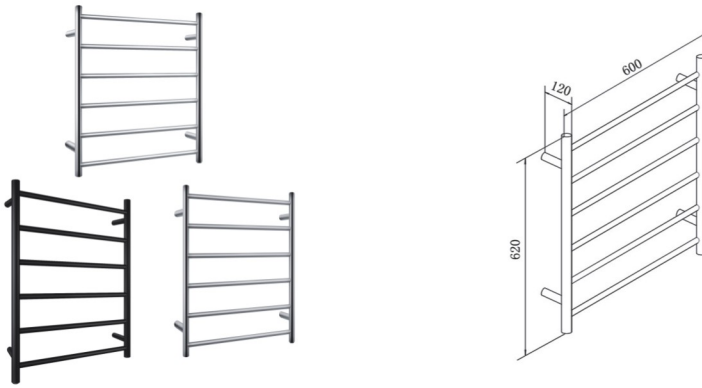
Top/Bottom/Left/Right Plug
Finish: Chrome/Matte Black
Main Material: SS304
Weight: 5.8kg
Package Size: 95X65X7.5cm



**Square Heated Towel Rail 4 Bars(Exposed/
Concealed Power Cord)**

**CH04.R.HTR/OX04.R.HTR/
BUGM04.R.HTR/BUYG04.R.HTR**

Top/Bottom/Left/Right Plug
Finish: Chrome/Matte Black/Brushed Gun/
Metal Grey/Brushed Yellow Gold
Main Material: SS304
Weight: 4.0kg
Package Size: 56X54X10cm



**Square Heated Towel Rail 6 Bars(Exposed/
Concealed Power Cord)**

**CH06.R.HTR/OX06.R.HTR/BU06.R.H
TRBUGM06.R.HTR/BUYG06.R.HTR**

Top/Bottom/Left/Right Plug
Finish: Chrome/Matte Black/Brushed Nickel/
Brushed Gun Metal Grey/Brushed Yellow Gold
Main Material: SS304
Weight: 4.5kg
Package Size: 70.5X64X7.5cm



**Square Heated Towel Rail 7 Bars(Exposed/
Concealed Power Cord)**

CH07.R.HTR/OX07.R.HTR

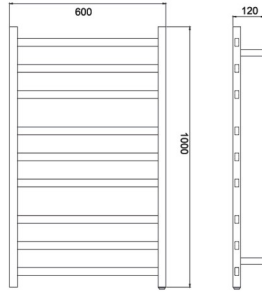
Top/Bottom/Left/Right Plug
Finish: Chrome/Matte Black
Main Material: SS304
Weight: 6kg
Package Size: 85X64X9cm



**Square Heated Towel Rail 8 Bars(Exposed/
Concealed Power Cord)**

CH08.R.HTR/OX08.R.HTR

Top/Bottom/Left/Right Plug
Finish: Chrome/Matte Black
Main Material: SS304
Weight: 5.5kg
Package Size: 95X65X7.5cm



**Square Heated Towel Rail 9 Bars(Exposed/
Concealed Power Cord)**

OX09.R.HTR

Top/Bottom/Left/Right Plug

Finish: Matte Black

Main Material: SS304

Weight: 6kg

Package Size: 100X60X12cm

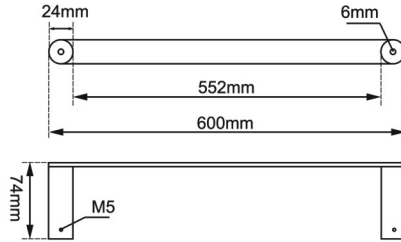
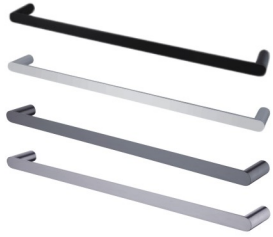


42

n4

Hardware
Pendant & Hook

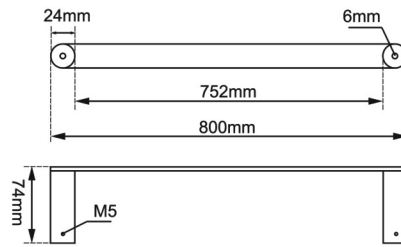
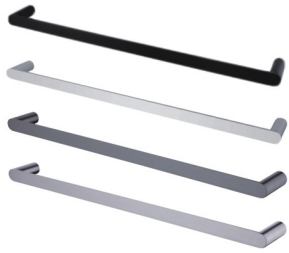




Single Towel Rail 600mm

CH6501.TR/OX6501.TR/GM6501.TR/
BU6501.TR/BUYG6501.TR

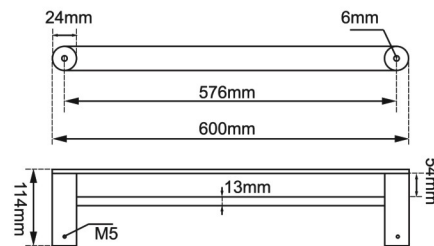
Finish: Chrome/Matte Black/Gunmetal Grey/Brushed
Nickel/Brushed Yellow Gold
Material: SS304
Weight: 1.0kg
Package Size: 62X10X5cm



Single Towel Rail 800mm

CH6501.8.TR/OX6501.8.TR/
GM6501.8.TR/BU6501.8.TR

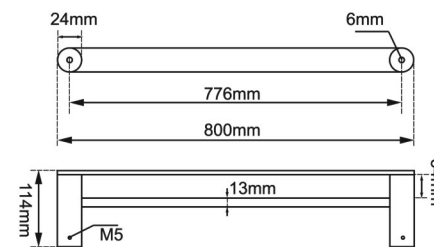
Finish: Chrome/Matte Black/Gunmetal Grey/
Brushed Nickel
Material: SS304
Weight: 1.0kg
Package Size: 82X10X5cm



Double Towel Rail 600mm

CH6502.TR/OX6502.TR/GM6502.TR/
BU6502.TR/BUYG6502.TR

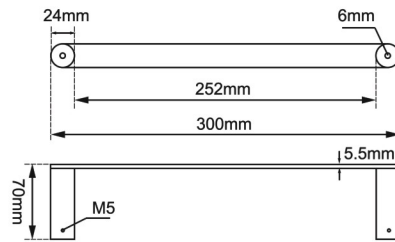
Finish: Chrome/Matte Black/Gunmetal Grey/Brushed
Nickel/Brushed Yellow Gold
Material: SS304
Weight: 1.0kg
Package Size: 64X14X6cm



Double Towel Rail 800mm

CH6502.8.TR/OX6502.8.TR/GM6502.8.TR/
BU6502.8.TR/BUYG6502.8.TR

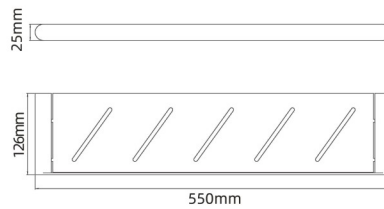
Finish: Chrome/Matte Black/Gunmetal Grey/Brushed
Nickel/Brushed Yellow Gold
Material: SS304
Weight: 1.15kg
Package Size: 84X14X6cm



Hand Towel Ring 300mm

CH6503.TR/OX6503.TR/GM6503.TR/
BU6503.TR/BUYG6503.TR

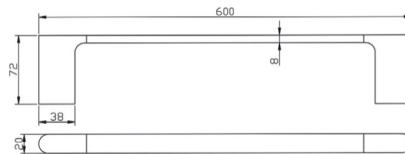
Finish: Chrome/Matte Black/Gunmetal Grey/Brushed
Nickel/Brushed Yellow Gold
Material: SS304
Weight: 0.55kg
Package Size: 33X8.5X6cm



Stainless Steel Shelf

CH6514.TR/OX6514.TR/
GM6514.TR/BU6514.TR

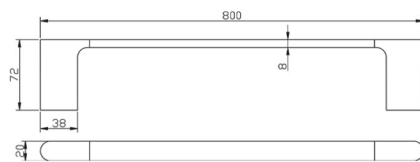
Finish: Chrome/Matte Black/Gunmetal Grey/
Brushed Nickel
Material: SS304
Weight: 0.5kg
Package Size: 56X14X3.5cm



Single Towel Rail 600mm

CH8001.TR/OX8001.TR/BU8001.TR/
GM8001.TR/BUYG8001.TR

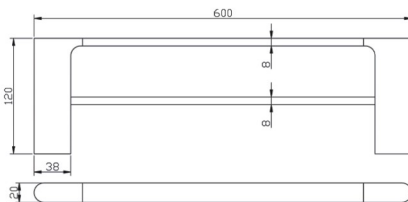
Finish: Chrome/Matte Black/Brushed Nickel/
Gun Metal Grey/Brushed Yellow Gold
Material: Zinc-alloy+Brass
Weight: 0.5kg
Package Size: 62X10X5cm



Single Towel Rail 800mm

CH8001.8.TR/OX8001.8.TR/BU8001.8.TR/
GM8001.8.TR/BUYG8001.8.TR

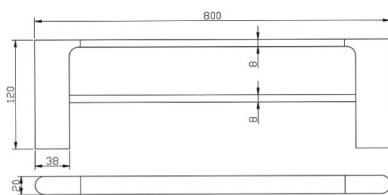
Finish: Chrome/Matte Black/Brushed Nickel/
Gun Metal Grey/Brushed Yellow Gold
Material: Zinc-alloy+Brass
Weight: 1.0kg
Package Size: 82X10X5cm



Double Towel Rail 600mm

CH8002.TR/OX8002.TR/BU8002.TR/
BUYG8002.TR/GM8002.TR

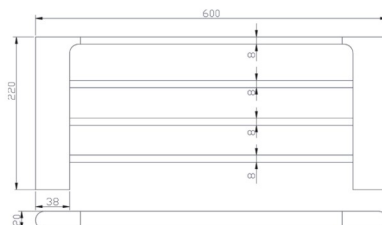
Finish: Chrome/Matte Black/Brushed Nickel/
Brushed Yellow Gold/Gun Metal Grey
Material: Zinc-alloy+Brass
Weight: 0.5kg
Package Size: 62X15X5cm



Double Towel Rail 800mm

CH8002.8.TR/OX8002.8.TR/BU8002.8.TR/
BUYG8002.8.TR/GM8002.8.TR

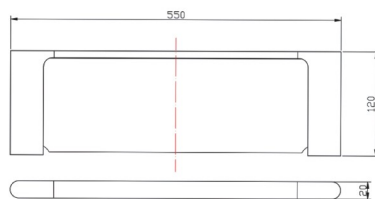
Finish: Chrome/Matte Black/Brushed Nickel/
Brushed Yellow Gold/Gun Metal Grey
Material: Zinc-alloy+Brass
Weight: 1.5kg
Package Size: 82X15X6cm



Towel Holder 600mm

CH8009.TR/OX8009.TR

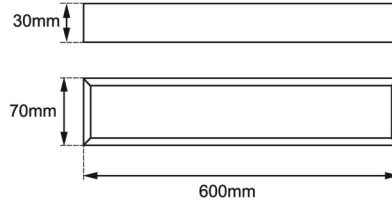
Finish: Chrome/Matte Black
Material: Zinc-alloy+Brass
Weight: 2.0kg
Package Size: 70X30X5cm



Glass Shelf 550mm

CH8014.TR/OX8014.TR

Finish: Chrome/Matte Black
Material: Zinc-alloy+Brass
Weight: 2.0kg
Package Size: 62X20X5cm



Single Towel Rail 600mm

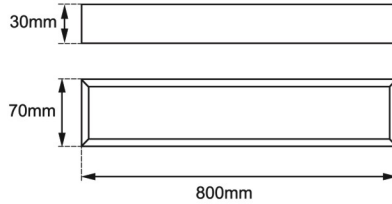
CH6401.TR/OX6401.TR

Finish: Chrome/Matte Black

Material: SS304

Weight: 0.6kg

Package Size: 64X9.5X6cm



Single Towel Rail 800mm

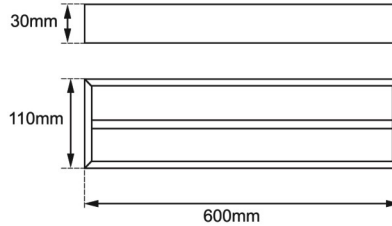
CH6401.8.TR/OX6401.8.TR

Finish: Chrome/Matte Black

Material: SS304

Weight: 0.8kg

Package Size: 82X9X9cm



Double Towel Rail 600mm

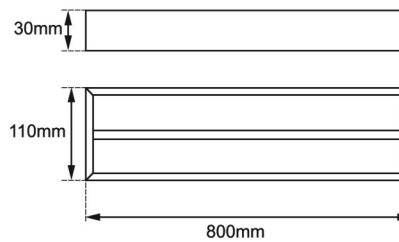
CH6402.TR/OX6402.TR

Finish: Chrome/Matte Black

Material: SS304

Weight: 1.05kg

Package Size: 65X14X6cm



Double Towel Rail 800mm

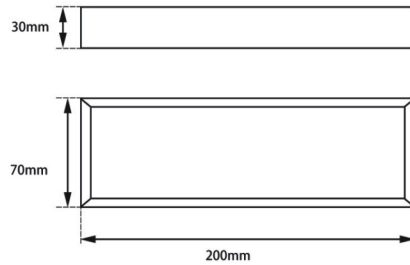
CH6402.8.TR/OX6402.8.TR

Finish: Chrome/Matte Black

Material: SS304

Weight: 1.45kg

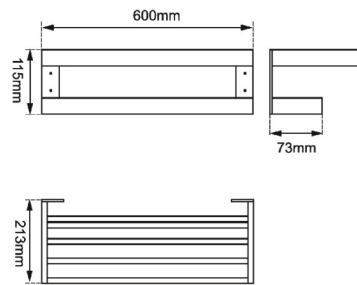
Package Size: 82X14X5.5cm



Hand Towel Ring 200mm

CH6403.TR/OX6403.TR

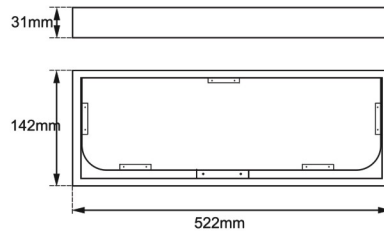
Finish: Chrome/Matte Black
Material: SS304
Weight: 0.3kg
Package Size: 29.5X9.5X7.5cm



Towel Bar 600mm

CH6409.TR/OX6409.TR

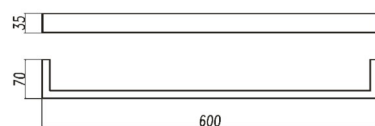
Finish: Chrome/Matte Black
Material: SS304
Weight: 1.95kg
Package Size: 62.5X25X13cm



Glass Holder

CH6414.TR/OX6414.TR

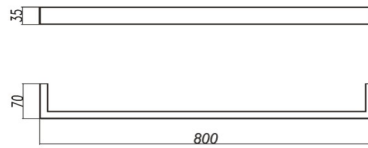
Finish: Chrome/Matte Black
Material: SS304&Glass
Weight: 2.4kg
Package Size: 64X16X6cm



Single Towel Rail 600mm

CH7001.TR/OX7001.TR/BU7001.TR/
GM7001.TR/BUYG7001.TR

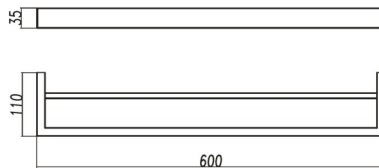
Finish: Chrome/Matte Black/Brushed Nickel/ Gun Metal
Grey/Brushed Yellow Gold
Material: SS304
Weight: 0.8kg
Package Size: 62X10X5cm



Single Towel Rail 800mm

**CH7001.8.TR/OXCH7001.8.TR/BU7001.8.TR/
GM7001.8.TR/BUYG7001.8.TR**

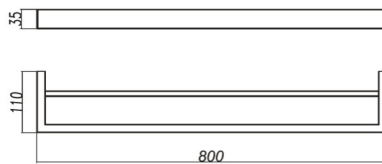
Finish: Chrome/Matte Black/Brushed Nickel/ Gun Metal
Grey/Brushed Yellow Gold
Material: SS304
Weight: 1.0kg
Package Size: 82X10X5cm



Double Towel Rail 600mm

**CH7002.TR/OX7002.TR/BU7002.TR/
GM7002.TR/BUYG7002.TR**

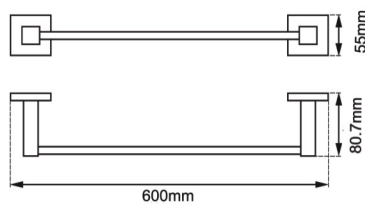
Finish: Chrome/Matte Black/Brushed Nickel/ Gun Metal
Grey/Brushed Yellow Gold
Material: SS304
Weight: 1.2kg
Package Size: 64X14X5cm



Double Towel Rail 800mm

**CH7002.TR/OX7002.TR/BU7002.TR/
GM7002.TR/BUYG7002.TR**

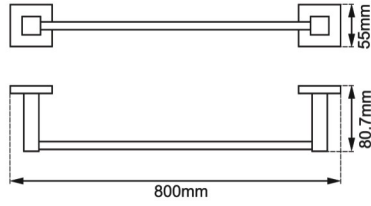
Finish: Chrome/Matte Black/Brushed Nickel/ Gun Metal
Grey/Brushed Yellow Gold
Material: SS304
Weight: 1.4kg
Package Size: 82X14X5cm



Single Towel Rail 600mm

CH6301.TR/OX6301.TR

Finish: Chrome/Matte Black
Material: SS304
Weight: 0.7kg
Package Size: 60X8X5.5cm



Single Towel Rail 800mm

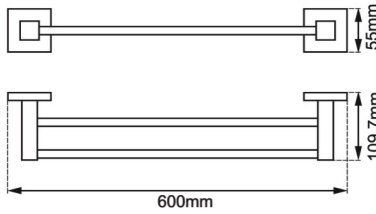
CH6301.8.TR/OX6301.8.TR

Finish: Chrome/Matte Black

Material: SS304

Weight: 0.7kg

Package Size: 81X8X5.5cm



Double Towel Rail 600mm

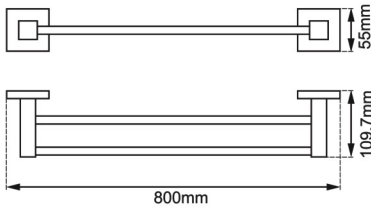
CH6302.TR/OX6302.TR

Finish: Chrome/Matte Black

Material: SS304

Weight: 1.0kg

Package Size: 60X11X5.5cm



Double Towel Rail 800mm

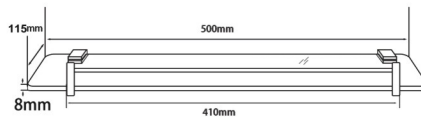
CH6302.8.TR/OX6302.8.TR

Finish: Chrome/Matte Black

Material: SS304

Weight: 1.0kg

Package Size: 81X11X5.5cm



Glass Shelf 500mm

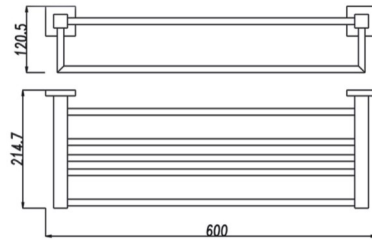
CH6314.TR/OX6314.TR

Finish: Chrome/Matte Black

Material: Glass

Weight: 1.0kg

Package Size: 52X14X5cm



Towel Holder 600mm

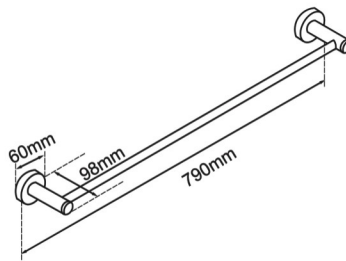
CH6309.TR/OX6309.TR

Finish: Chrome/Matte Black

Material: SS304

Weight: 1.5kg

Package Size: 62X23X14cm



Single Towel Rail 790mm

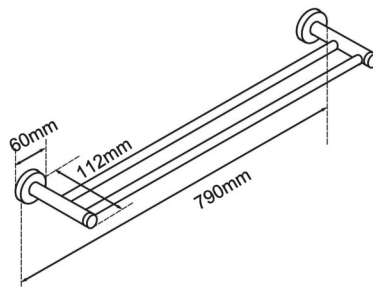
CH6601.TR/OX6601.TR/BUYG6901.TR

Finish: Chrome/Matte Black/Brushed Yellow Gold

Material: SS304

Weight: 0.45kg

Package Size: 81X12X6.5cm



Double Towel Rail 790mm

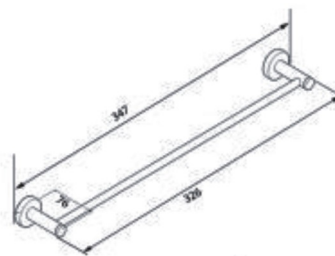
CH6602.TR/OX6602.TR/GM6602.TR/BUYG6602.TR

Finish: Chrome/Matte Black/Gunmetal Grey/Brushed Yellow Gold

Material: SS304

Weight: 0.45kg

Package Size: 81X12X6.5cm



Towel Rail

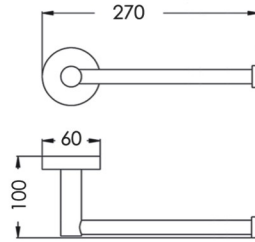
BU6610.TR/GM6610.TR/BUYG6610.TR

Finish: Brushed Nickel/Gunmetal Grey/Brushed Yellow Gold

Material: SS304

Weight: 0.3kg

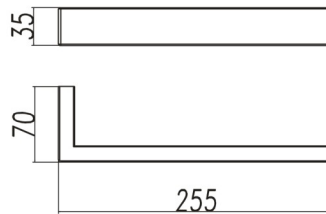
Package Size: 22X5X5cm



Towel Hook Ring

CH6615.TR/OX6615.TR

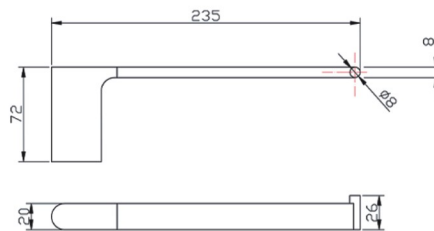
Finish: Chrome/Matte Black
Material: SS304
Weight: 0.45kg
Package Size: 30X12X6.5cm



Towel Rail

CH7003.TR/OX7003.TR/BU7003.TR/
GM7003.TR/BUYG7003.TR

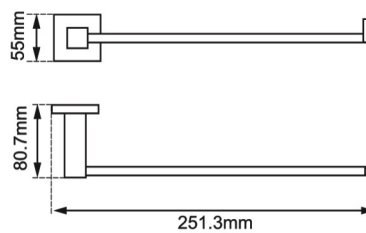
Finish: Chrome/Matte Black/Brushed Nickel/ Gun Metal
Grey/Brushed Yellow Gold
Material: SS304
Weight: 0.5kg
Package Size: 28X10X5cm



Hand Towel Ring 235mm

CH8003.TR/OX8003.TR/BU8003.TR/
GM8003.TR/BUYG8003.TR

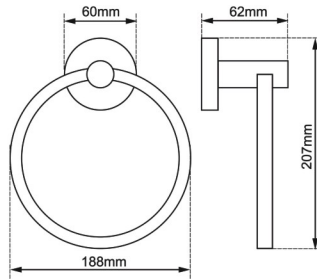
Finish: Chrome/Matte Black/Brushed Nickel/
Gun Metal Grey/Brushed Yellow Gold
Material: Zinc-alloy+Brass
Weight: 0.3kg
Package Size: 33X8.5X6cm



Hand Towel Hook

CH6303.TR/OX6303.TR

Finish: Chrome/Matte Black
Material: SS304
Weight: 0.4kg
Package Size: 26X7X5.5cm



Hand Towel Ring

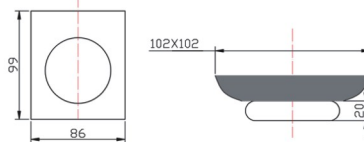
CH6603.TR/OX6603.TR

Finish: Chrome/Matte Black

Material: SS304

Weight: 0.3kg

Package Size: 18X18X6cm



Soap Dish

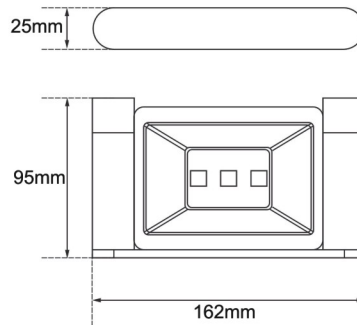
CH8006.TR/OX8006.TR

Finish: Chrome/Matte Black

Material: Zinc-alloy+Brass

Weight: 0.3kg

Package Size: 22X5X5cm



Soap Dish

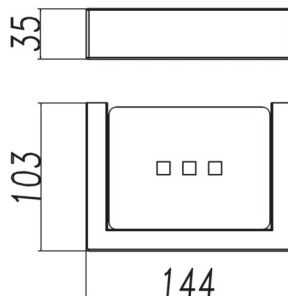
**CH6506.TR/OX6506.TR/
GM6506.TR/BU6506.TR**

Finish: Chrome/Matte Black/Gunmetal Grey/
Brushed Nickel

Material: SS304

Weight: 0.3kg

Package Size: 22X5X5cm



Soap Dish

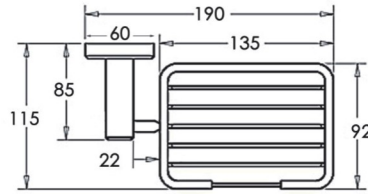
**CH7006.TR/OX7006.TR/BU7006.TR/
GM7006.TR/BUYG7006.TR**

Finish: Chrome/Matte Black/Brushed Nickel/ Gun Metal
Grey/Brushed Yellow Gold

Material: SS304

Weight: 0.4kg

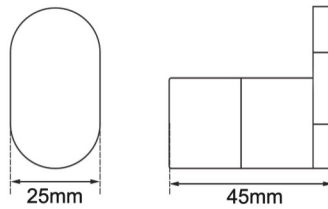
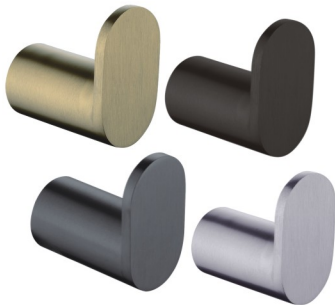
Package Size: 17X13X6cm



Soap Holder

CH6606.TR

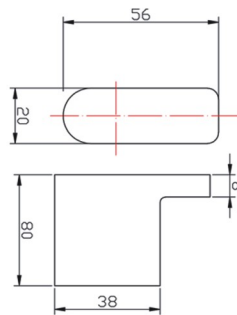
Finish: Chrome
Material: SS304
Weight: 0.45kg
Package Size: 20X10X6.5cm



Robe Hook

**CH6507.TR/OX6507.TR/GM6507.TR/
BU6507.TR/BUYG6507.TR**

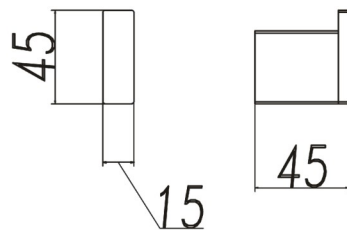
Finish: Chrome/Matte Black/Gunmetal Grey/Brushed Nickel/Brushed Yellow Gold
Material: SS304
Weight: 0.3kg
Package Size: 22X5X5cm



Robe Hook

**CH8007.TR/OX8007.TR/BU8007.TR/
GM8007.TR/BUYG8007.TR**

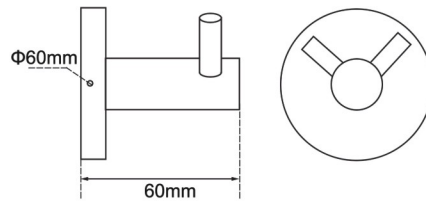
Finish: Chrome/Matte Black/Brushed Nickel/Brushed Yellow Gold/Gun Metal Grey
Material: Zinc-alloy+Brass
Weight: 0.3kg
Package Size: 22X5X5cm



Robe Hook

**CH7007.TR/OX7007.TR/BU7007.TR/
GM7007.TR/BUYG7007.TR**

Finish: Chrome/Matte Black/Brushed Nickel/ Gun Metal Grey/Brushed Yellow Gold
Material: SS304
Weight: 0.2kg
Package Size: 8X7X6.5cm



Robe Hook

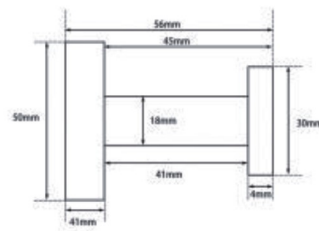
CH6607.TR/OX6607.TR

Finish: Chrome/Matte Black

Material: SS304

Weight: 0.2kg

Package Size: 7X7X6cm



Robe Hook

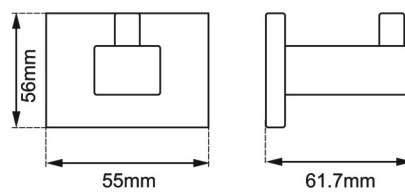
GM6608.TR/BUYG6608.TR

Finish: Gun Metal Grey/Brushed Yellow Gold

Material: SS304

Weight: 0.1kg

Package Size: 8X9X6cm



Robe Hook

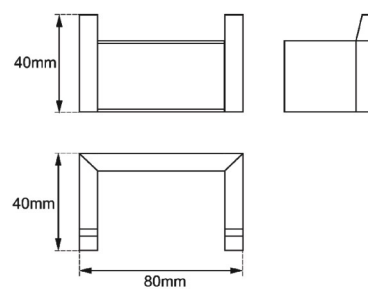
CH6307.TR/OX6307.TR

Finish: Chrome/Matte Black

Material: SS304

Weight: 0.4kg

Package Size: 8X6.5X6.5cm



Robe Hook

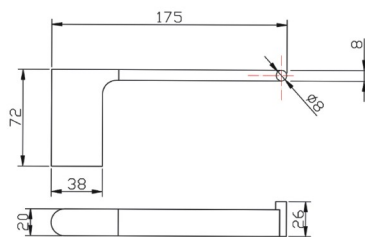
CH64007.TR/OX64007.TR

Finish: Chrome/Matte Black

Material: SS304

Weight: 0.3kg

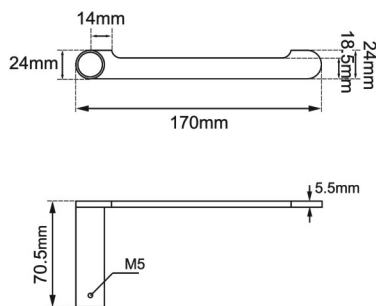
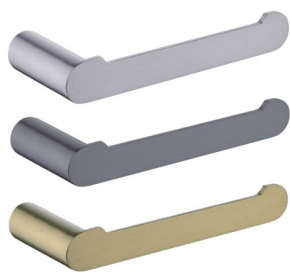
Package Size: 9X8X6.5cm



Toilet Paper Holder

CH8013.TR/OX8013.TR/BU8013.TR/
GM8013.TR/BUYG8013.TR

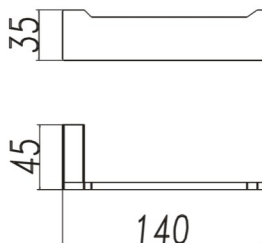
Finish: Chrome/Matte Black/Brushed Nickel/
Brushed Yellow Gold/Gun Metal Grey
Material: Zinc-alloy+Brass
Weight: 0.3kg
Package Size: 22X5X5cm



Paper Roll Holder

CH6513.TR/OX6513.TR/GM6513.TR/
BU6513.TR/BUYG6513.TR

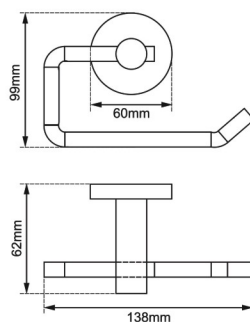
Finish: Chrome/Matte Black/Gunmetal Grey/Brushed
Nickel/Brushed Yellow Gold
Material: SS304
Weight: 0.3kg
Package Size: 22X5X5cm



Toilet Paper Holder

CH7008.TR/OX7008.TR/BU7008.TR/
GM7008.TR/BUYG7008.TR

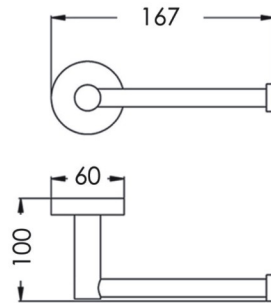
Finish: Chrome/Matte Black/Brushed Nickel/ Gun Metal
Grey/Brushed Yellow Gold
Material: SS304
Weight: 0.3kg
Package Size: 18X8X7cm



Toilet Paper Holder

CH6613.TR/OX6613.TR/BU6613.TR

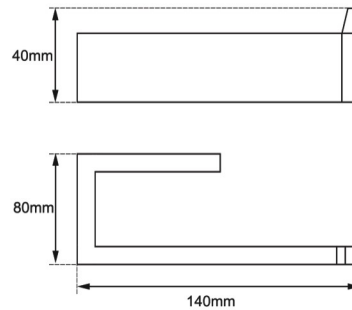
Finish: Chrome/Matte Black/Brushed Nickel
Material: SS304
Weight: 0.3kg
Package Size: 18X18X6cm



Toilet Paper Hook

CH6611.TR/OX6611.TR/BU6611.TR/
GM6611.TR/BUYG6611.TR

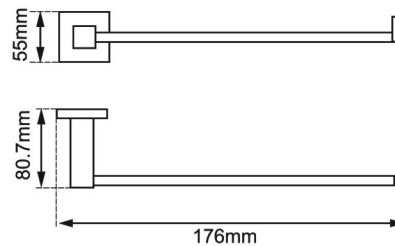
Finish: Chrome/Matte Black/Brushed Nickel/
Gun Metal Grey/Brushed Yellow Gold
Material: SS304
Weight: 0.45kg
Package Size: 17X12X6.5cm



Toilet Roll Holder

CH6408.TR/OX6408.TR

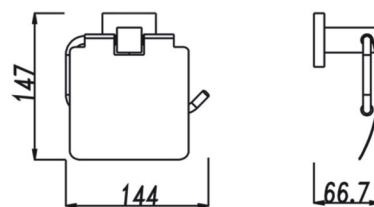
Finish: Chrome/Matte Black
Material: SS304
Weight: 0.4kg
Package Size: 20.5X9.5X7cm



Paper Roll Holder

CH6313.TR/OX6313.TR

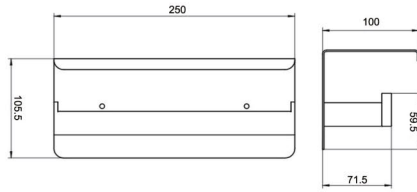
Finish: Chrome/Matte Black
Material: SS304
Weight: 0.3kg
Package Size: 18X4.3X9cm



Paper Roll Holder

CH6308.TR

Finish: Chrome
Material: SS304
Weight: 0.49kg
Package Size: 18.5X6X8.5cm



Paper Roll Holder

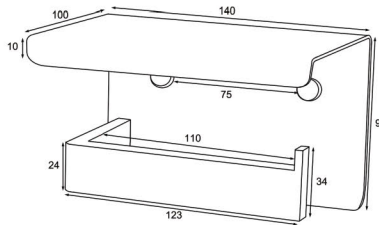
CH6114.TR/OX6114.TR

Finish: Chrome/Matte Black

Material: SS304

Weight: 0.8kg

Package Size: 26X17X11cm



Paper Roll Holder

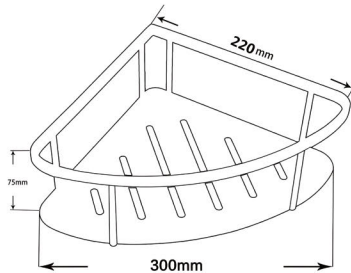
CH6115.TR/OX6115.TR

Finish: Chrome/Matte Black

Material: SS304

Weight: 0.5kg

Package Size: 16X12X11cm



Corner Shelf

**CH6116.TR/
OX6116.TR**

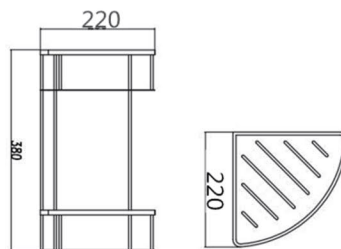
Finish: Chrome/Matte

Black Material: SS304

Weight: 0.9kg

Package Size:

25X25X8cm



Corner Shelf

CH6117.TR/OX6117.TR

Finish: Chrome/Matte Black

Material: SS304

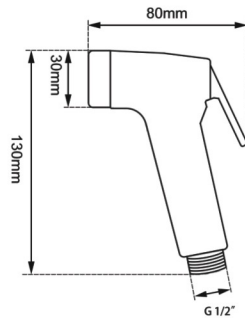
Weight: 2kg

Package Size: 40X25X25cm



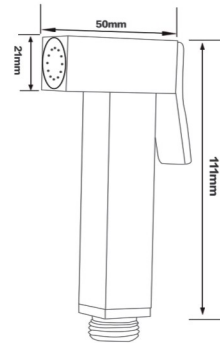
n5

Toilet
Spray Kits



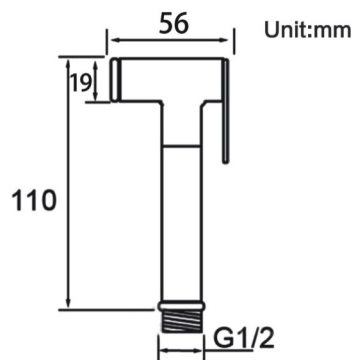
CH0006E.SH

Toilet Spray Kit 1.2m Stainless Steel Hose
Finish: Chrome
Material: ABS
Weight: 1.5kg
Package Size: 20.5X14.5X9.5cm



**CH0009E.SH/OX0009E.SH/
BU0009E.SH/GM0009E.SH**

Toilet Spray Kit 1.2m PVC Hose
Finish: Chrome/Matte Black/
Brushed Nickel/Gun Metal Grey
Material: Brass
Weight: 1.5kg
Package Size: 26.5X14X9.5cm



Ch0011E.SH/OX0011E.SH

Toilet Spray Kit 1.2m PVC Hose
Finish: Chrome/Matte Black
Material: Brass
Weight: 1.5kg
Package Size: 26.5X14X9.5cm



BUYG0005E.SH

Toilet Spray Kit 1.2m PVC Hose
Finish: Brushed Nickel/Yellow Gold
Material: ABS
Weight: 1.5kg
Package Size: 20.5X14.5X9.5cm





CH001.ST/OX001.ST

Toilet Bidet Tap
Finish: Chrome/Matte Black
Material: Brass
Weight: 0.5kg
Package Size: 7X7X5cm



CH003.ST/OX003.ST

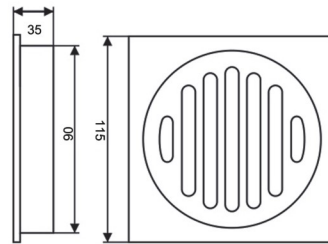
Toilet Bidet Tap
Finish: Chrome/Matte Black
Material: Brass
Weight: 0.7kg
Package Size: 10.8X12.3X8cm





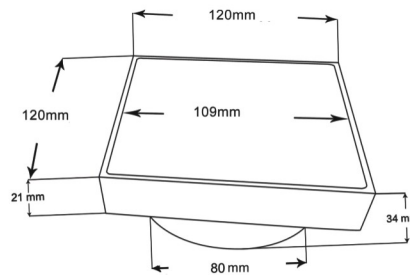
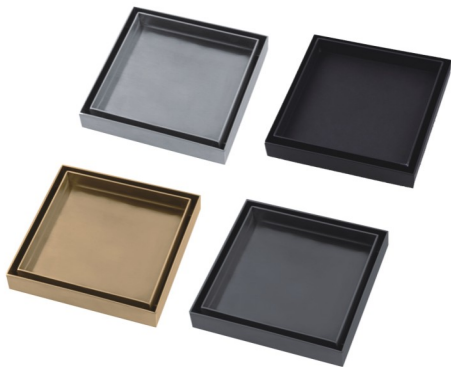
n6

Grate Drain &
Pop Up Waste



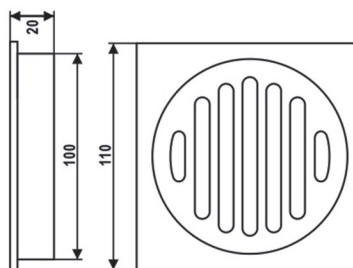
CH002.FD/OX002.FD

Grate Drain, 90mm Outlet
Finish: Chrome/Matte Black
Material: Brass



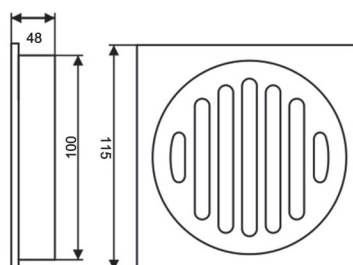
**CH003.FD/OX003.FD/
BUYG003.FD/GM003.FD**

Grate Drain, 80mm Outlet
Finish: Chrome/Matte Black/Brushed/
Yellow Gold/Gun Metal Grey
Material: Brass



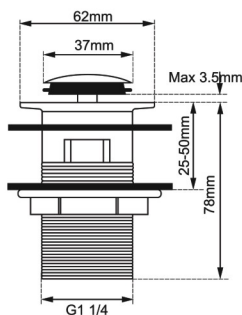
CH004.FD/OX004.FD

Grate Drain, 100mm Outlet
Finish: Chrome/Matte Black
Material: Brass



CH005.FD/OX005.FD

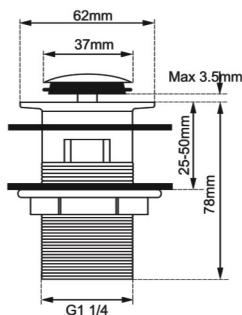
Grate Drain, 100mm Outlet
Finish: Chrome/Matte Black
Material: Brass



Pop Up Waste With Overflow

CH001.PUW/OX001.PUW/GM001.PUW
BUYG001.PUW

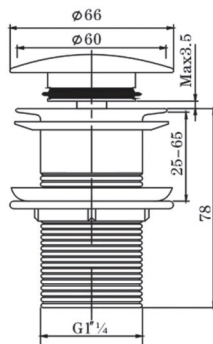
Finish: Chrome/Matte Black/Gun Metal Grey/
Brushed Yellow Gold
Material: Brass
Weight: 0.3kg
Package Size: 9.5X7.5X7.5cm



Pop Up Waste No Overflow

CH001.PUW/OX001.PUW/GM001.PUW
BUYG001.PUW

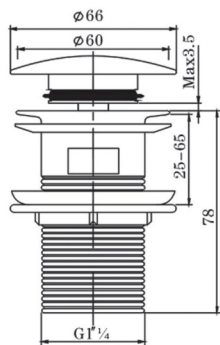
Finish: CH002.PUW/OX002.PUW/GM002.PUW/
BUYG002.PUW
Material: Brass
Weight: 0.3kg
Package Size: 9.5X7.5X7.5cm



Mushroom Pop Up Waste No Overflow

CH003.PUW/OX003.PUW/BU003.PUW/
BUYG003.PUW/GM003.PUW

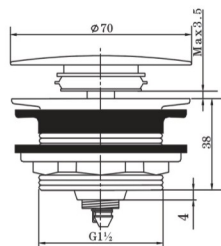
Finish: Chrome/Matte Black/Brushed/
Yellow Gold/Gun Metal Grey
Material: Brass
Weight: 0.3kg
Package Size: 9.5X7.5X7.5cm



Mushroom Pop Up Waste With Overflow

CH004.PUW/OX004.PUW/BU004.PUW/
BUYG043.PUW/GM004.PUW

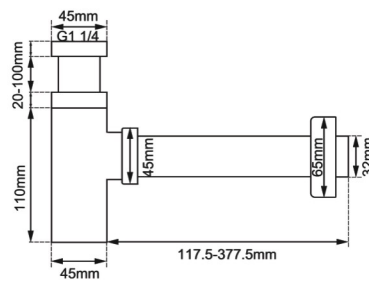
Finish: Chrome/Matte Black/Brushed/
Yellow Gold/Gun Metal Grey
Material: Brass
Weight: 0.3kg
Package Size: 9.5X7.5X7.5cm



Mushroom Bathtub Pop Up Waste No Overflow

CH002.TWN/OX002.TWN/BU002.TWN
BUYG002.TWN//BUGM002.TWN

Finish: Chrome/Matte Black/Brushed/
Yellow Gold/Gun Metal Grey
Material: Brass
Weight: 0.3kg
Package Size: 8.5X5.5X8.5cm



CH001.BT/OX001.BT/BU001.BT/

Bottle Trap
Finish: Chrome/Matte Black/Brushed/
Yellow Gold/Gun Metal Grey
Material: Brass
Weight: 1.5kg
Package Size: 32X11X7cm

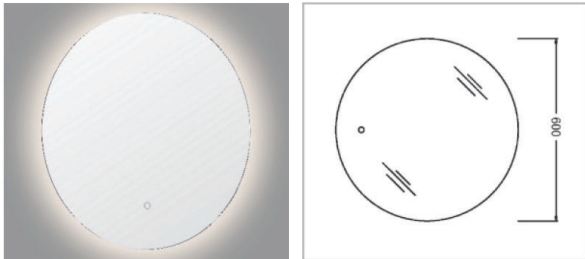


66

n7

LED Mirror
Light Le





Backlighting Round LED Mirror

MR-BLED600R/MR-BLED800R

- Safe 12V anti fog mirror surface;
- IP44 rated waterproof;
- Touch control to light up and defog;
- High definition;
- Eco-environmental friendly;
- With hanging bracket in the back;
- Melamine bottom board with aluminum frame;
- 3 colours light strip,keep pressing 3 seconds to switch the colour of light;
- SAA certificated concealed power cord and LED light strip;
- NO euphotic zone, lighting on the back;
- Explosion proof and moisture proof;
- Multiple application in different location.

Shape: round

Size: 60cm / 80cm

Input Voltage: 220-240V

LED Colour Range: 3000K-5700K



Rectangle Back Lighting LED Mirror Ound-Angle

MR-BLED7560R-P / MR-BLED9075R-P / MR-BLED1290R-P

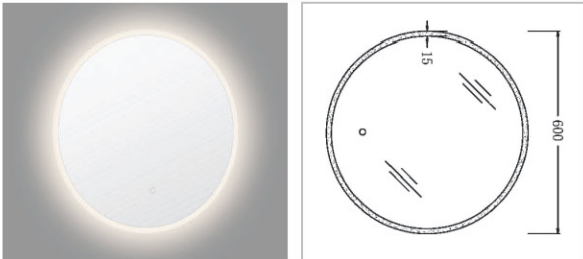
- Safe 12V anti fog mirror surface
- IP44 rated waterproof
- High definition
- Touch control to light up and defog
- NO euphotic zone, lighting on the back
- Explosion proof and moisture proof
- Eco-environmental friendly
- With hanging bracket in the back
- Melamine bottom board with aluminum frame,PC back lampshade
- SAA certificated concealed power cord and LED light strip
- 3 colours light strip,keep pressing 3 seconds to switch the colour of light
- Conform to the Australian Standard
- Multiple uses in various occasions
- Can be installed horizontally or vertically

Shape: Rectangle,safe round-angle

Size: 75x60cm/90x75cm/120x90cm

Input Voltage: 220-240V

LED Colour Range: 3000K-5700K



Round Edge-Lit LED Mirror

MR-LED600R-1.5A / MR-LED800R-1.5A

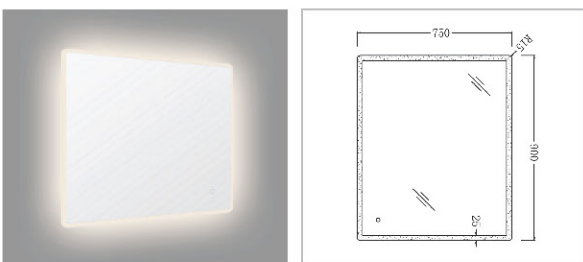
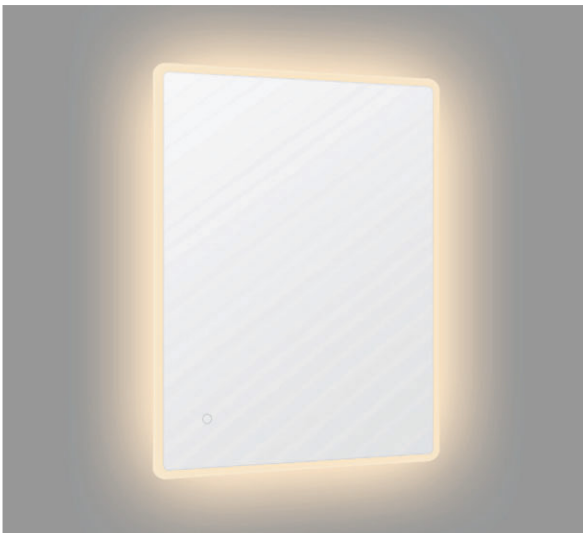
- Pressing Once Switch,
- Change The Color From On - Warm - Neutral - Cold - Off.
- Safe 12v Anti Fog Mirror Surface
- Explosion Proof And Moisture Proof ;
- High Definition,ip44 Rating Waterproof
- Installation Type:wall Mounted,with Hanging Bracket In The Ba

Shape: round

Size: 60cm / 80cm

Input Voltage: 220-240V

LED Colour Range: 3000K-6000K



Rectangle Edge-Lit LED Mirror Round-Angle

MR-LED7560R-1.5P / MR-LED9075R-1.5P / MR-LED1290R-1.5P

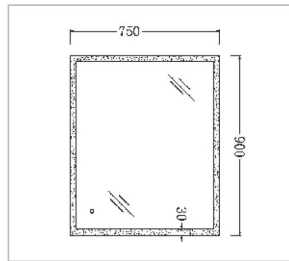
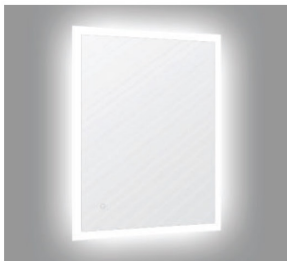
- Safe 12V anti fog mirror surface
- IP44 rated waterproof
- Touch control to light up and defog
- 3 colours light strip,keep pressing 3 seconds to switch the colour of light
- High definition
- Melamine bottom board with aluminum frame,PC lampshade
- SAA certificated concealed power cord and LED light strip
- 15/25/30mm euphotic zone/frame
- Lighting on the rim
- Explosion proof and moisture proof
- Eco-environmental friendly
- With hanging bracket in the back
- Can be installed horizontally or vertically
- Conform to the Australian Standard
- Multiple uses in various occasions

Shape: Rectangle,safe round-angle

Size: 75x60cm/90x75cm/120x90cm

Input Voltage: 220-240V

LED Colour Range: 3000K-5700K



Rectangle Edge-Lit LED Mirror Rectangle Right-Angle

MR-LED7560-3A / MR-LED9075-3A / MR-LED1290-3A

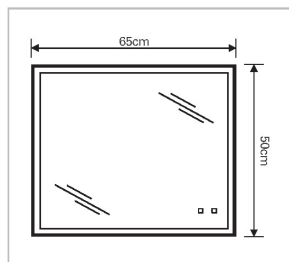
- Safe 12V anti fog mirror surface
- IP44 rated waterproof
- Touch control to light up and defog
- 3 colours light strip, keep pressing 3 seconds to switch the colour of light
- High definition
- Melamine bottom board with aluminum frame, acrylic lampshade
- SAA certificated concealed power cord and LED light strip
- 30mm euphotic zone/frame
- Lighting on the rim
- Explosion proof and moisture proof
- Eco-environmental friendly
- With hanging bracket in the back
- Can be installed horizontally or vertically
- Conform to the Australian Standard
- Multiple uses in various occasions

Shape: Rectangle, right-angle

Size: 75x60cm/90x75cm/120x90cm

Input Voltage: 220-240V

LED Colour Range: 3000K-5700K



Black Frame Square LED Mirror

MR-7560BS / MR-9075BS

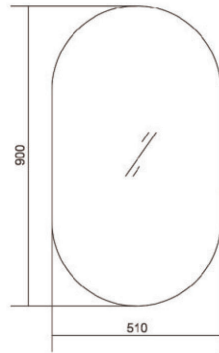
- Safe 12V anti fog mirror surface
- IP44 rated waterproof
- Touch control to light up and defog
- Long press the light up touch button to adjust the brightness
- White light
- 20mm euphotic zone
- High definition
- Melamine bottom board with aluminum frame
- SAA certificated concealed power cord and LED light strip
- Explosion proof and moisture proof
- Eco-environmental friendly
- With hanging bracket in the back
- Conform to the Australian Standard
- Multiple uses in various occasions
- Can be mounted vertically or horizontally

Shape: Square

Size: 50x65x4cm

Input Voltage: 220-240V

LED Colour Range: 3000K-6000K



LED Mirror Oblong Racetrack Motion Sensor Auto On

MR-LED-EP-5190

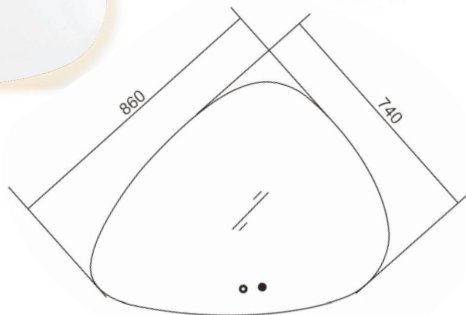
- LED Colour Temperature Range(CCT): 3000K-6000K.
- Pressing once switch,change the color from ON - Warm - Neutral - Cold - OFF.
- Motion Sensor Feature: Light Auto-On when attended in the sensor range;
- Light Auto-Off after 30 seconds unattended in the sensor range.
- Safe 12V anti fog mirror surface
- Explosion proof and moisture proof ;
- High definition.IP44 RATING WATERPROOF
- Installation Type:Wall mounted,with hanging bracket in the back

Shape: Rectangle,right-angle

Size: 51x90cm

Input Voltage: 220-240V

LED Colour Range: 3000K-6000K



LED Mirror Special Shape Motion Sensor Auto On

MR-LED-TA-7486

- Pressing once switch,
- Change the color from ON - Warm - Neutral - Cold - OFF.
- Motion Sensor Feature: Light Auto-On when attended in the sensor range;
- Light Auto-Off after 30 seconds unattended in the sensor range.
- Safe 12V anti fog mirror surface
- Explosion proof and moisture proof ;
- High definition.IP44 RATING WATERPROOF
- Installation Type:Wall mounted,with hanging bracket in the back

Shape: Rectangle,right-angle

Size: 74x86cm

Input Voltage: 220-240V

LED Colour Range: 3000K-6000K

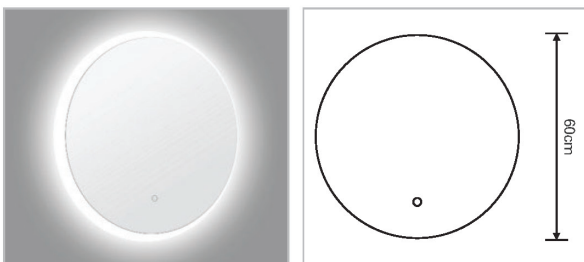


LED Mirror Oval Motion Sensor Auto On

MR-LED-OV-4590

- Pressing once switch, change the color from ON - Warm - Neutral - Cold - OFF.
- Motion Sensor
- Feature: Light Auto-On when attended in the sensor range;
- Light Auto-Off after 30 seconds unattended in the sensor range.
- safe 12V anti fog mirror surface
- Explosion proof and moisture proof ;
- High definition.IP44 RATING WATERPROOF
- nstallation Type:Wall mounted,with hanging bracket in the back

Size: 45x90cm
Input Voltage: 220-240V
LED Colour Range: 3000K-6000K



Round Crescent Rim LED Mirror

MR-CLED600R-P / MR-CLED800R-P

- Pressing once switch,
- Change the color from ON - Warm - Neutral - Cold - OFF.
Input Voltage: 220-240V, safe 12V anti fog mirror surface
- Explosion proof and moisture proof ;
- High definition.IP44 RATING WATERPROOF
- Nstallation Type:Wall mounted,with hanging bracket in the back

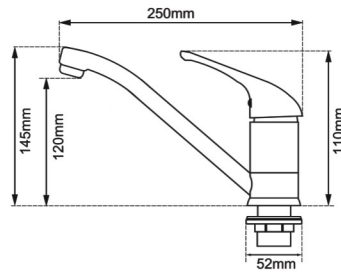
Size: 45x90cm
Input Voltage: 220-240V
LED Colour Range: 3000K-6000K



73

n8
Kitchen
Faucets

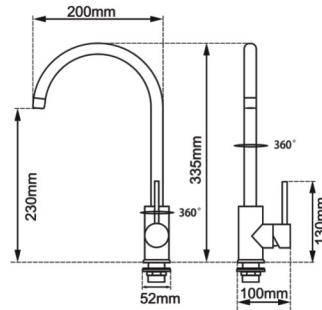




Swivel Kitchen Mixer

CH1003.KM

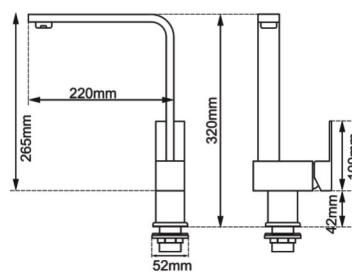
Finish: Chrome
Material: Brass
Weight: 1.25kg
Package Size: 29.5X29X8cm



Swivel Kitchen Mixer

**CH1026.KM/OX1026.KM/BU1026.KM/
GM1026.KM/BUYG1026.KM**

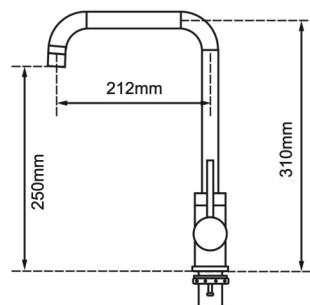
Finish: Chrome/Matte Black/Brushed Nickel/
Gun Metal Grey/Brushed Yellow Gold
Material: Brass
Weight: 2.0kg
Package Size: 44X14X7cm



Swivel Kitchen Mixer

CH1010.KM/OX1010.KM

Finish: Chrome/Matte Black
Material: Brass
Weight: 1.95kg
Package Size: 42X21.5X7.5cm

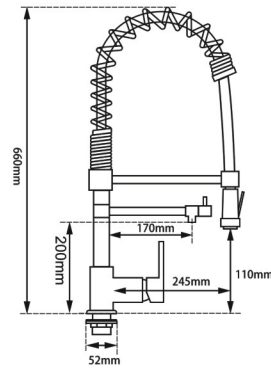


Swivel Kitchen Mixer

CH1027.KM/OX1027.KM

Finish: Chrome/Matte Black
Material: Brass
Weight: 1.8kg
Package Size: 65X30X8cm

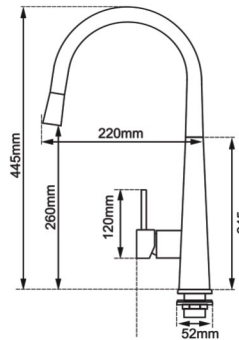




Swivel Kitchen Mixer

CH1009.KM

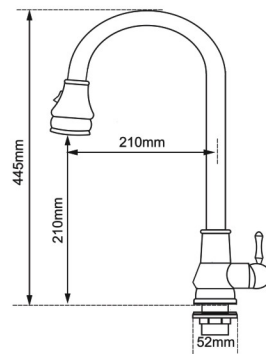
Finish: Chrome
Material: Brass
Weight: 4.15kg
Package Size: 80X35X8cm



Swivel Kitchen Mixer

**CH1021.KM/BU1021.KM/OX1021.KM/
GM1021.KM/BUYG1021.KM**

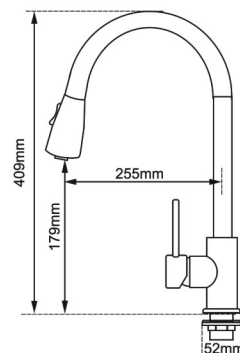
Finish: Chrome/Matte Black/Brushed Nickel/
Gun Metal Grey/Brushed Yellow Gold
Material: Brass
Weight: 3.05kg
Package Size: 67X31.5X8cm



Swivel Kitchen Mixer

CH1018.KM/OX1018.KM

Finish: Chrome/Matte Black
Material: Brass
Weight: 3.05kg
Package Size: 67X30.5X8.5cm

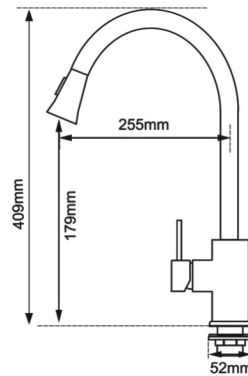


Swivel Kitchen Mixer

CH1019.KM

Finish: Chrome
Material: Brass
Weight: 3.0kg
Package Size: 67X30X8cm

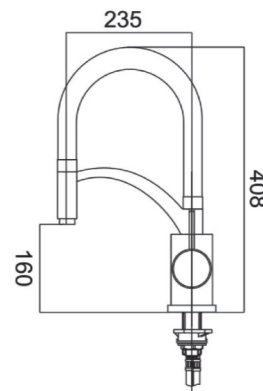




Swivel Kitchen Mixer

OX1023.KM

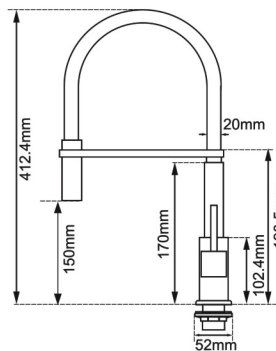
Finish: Chrome
Material: Brass
Weight: 3.0kg
Package Size: 67.5X32X9cm



Swivel Kitchen Mixer

CH1039.KM

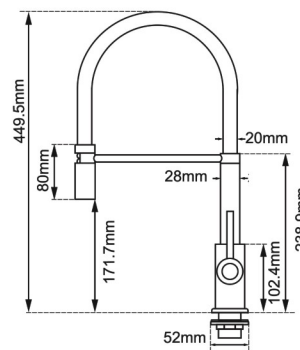
Finish: Matte Black
Material: Brass
Weight: 2.5kg
Package Size: 67.5X32X9cm



Swivel Kitchen Mixer

CH1032.KM/OX1032.KM/BU1032.KM

Finish: Chrome/Matte Black/Brushed Nickel
Material: Brass
Weight: 2.9kg
Package Size: 57X28.5X8cm

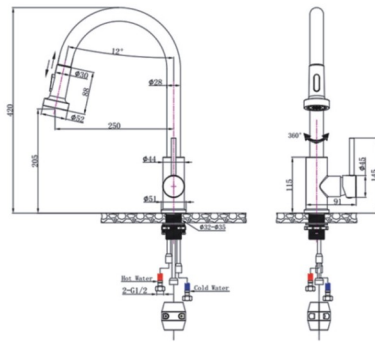


Swivel Kitchen Mixer

CH1034.KM

Finish: Chrome
Material: Brass
Weight: 2.45kg
Package Size: 65X30X8cm





Swivel Kitchen Mixer

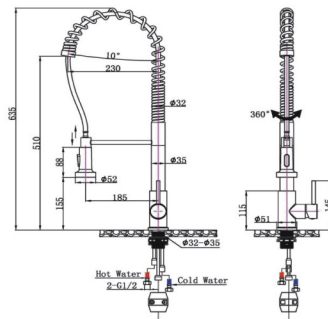
CH1013.KM

Finish: Chrome

Material: Brass

Weight: 2.9kg

Package Size: 66.5X31X8.5cm



Swivel Kitchen Mixer

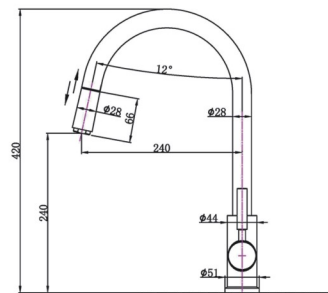
CH1017.KM/OX1017.KM

Finish: Chrome/Matte Black

Material: Brass

Weight: 4.04kg

Package Size: 80X33.5X8.5cm



Swivel Kitchen Mixer

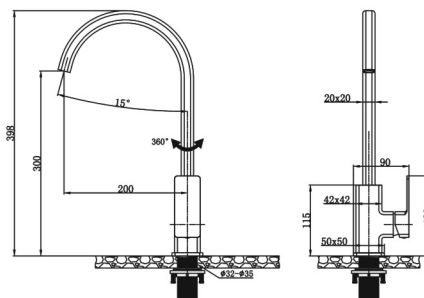
CH1016.KM/OX1016.KM

Finish: Chrome/Matte Black

Material: Brass

Weight: 2.0kg

Package Size: 31X22X8.5cm



Kitchen Mixer

CH1034.KM

Finish: Chrome/Matte Black

Material: Brass

Weight: 2.0kg

Package Size: 44X14X8cm

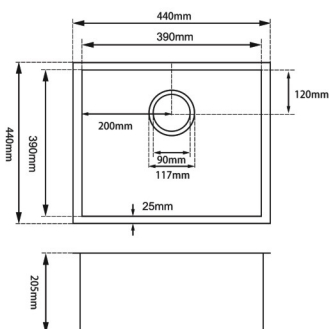




79

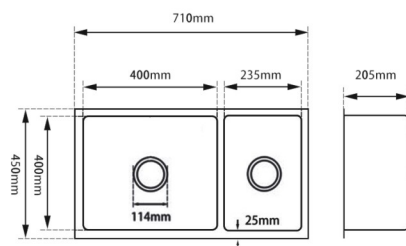
ng
Kitchen
Sinks





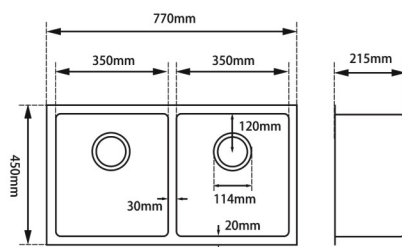
**CH4444R.KS/OX4444R.KS/
BUYG4444.KS**

Waste included
Finish: Silver/Dark Grey/Brushed Yellow Gold
Material: SS304
Weight: 8.5kg
Package Size: 51X51X27.5cm



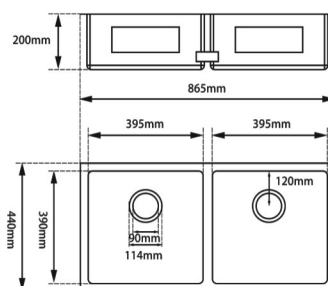
**CH7145R.KS/OX7145R.KS/
BUYG7145.KS**

Waste included
Finish: Silver/Dark Grey/Brushed Yellow Gold
Material: SS304
Weight: 12.5kg
Package Size: 78X52X29cm



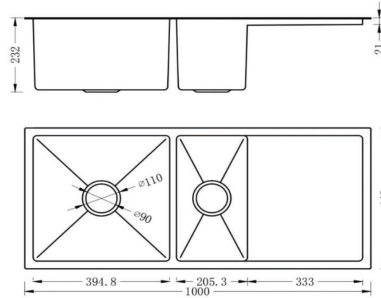
CH7745R.KS

Waste included
Finish: Silver
Material: SS304
Weight: 14.5kg
Package Size: 84X53X29cm



CH8644R.KS

Waste included
Finish: Silver
Material: SS304
Weight: 14.5kg
Package Size: 90.5X51X27.5cm

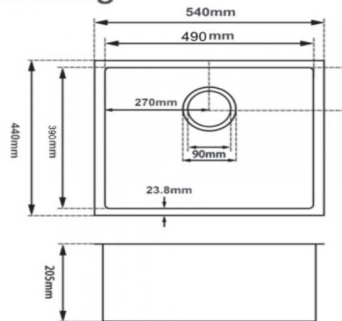


KS1044-R/KS1044-RB

Waste included
Finish: Silver/Dark Grey
Material: SS304
Installation Type: Drop-in/Top-mounted
Overall size: 1000mm(L) x 440mm(W) x 232mm(H)



Drawing

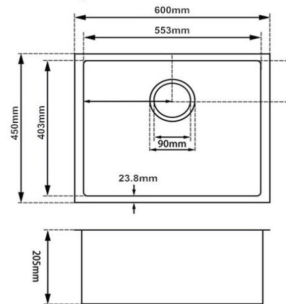


KS5444-R/KS5444-RB

Waste included
Finish: Silver/Dark Grey
Material: SS304
Installation Type: Drop-in/Top-mounted, Flush-mounted and Under-mounted
Overall size: 540mm(L) x 440mm(W) x 205mm(H)



Drawing

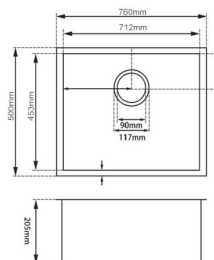


KS6045-R/KS6045-RB

Waste included
Finish: Silver/Dark Grey
Material: SS304
Installation Type: Drop-in/Top-mounted, Flush-mounted and Under-mounted
Overall size: 600mm(L) x 450mm(W) x 205mm(H)

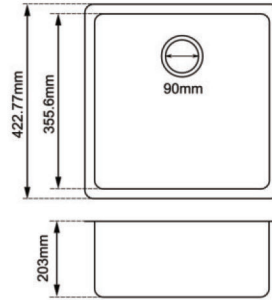


Drawing



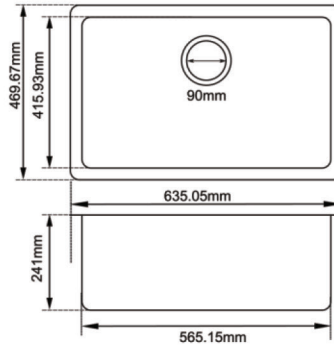
KS7650-R/KS7650-RB

Waste included
Finish: Silver/Dark Grey
Material: SS304
Installation Type: Drop-in/Top-mounted, Flush-mounted and Under-mounted
Overall size: 760mm(L) x 500mm(W) x 205mm(H)



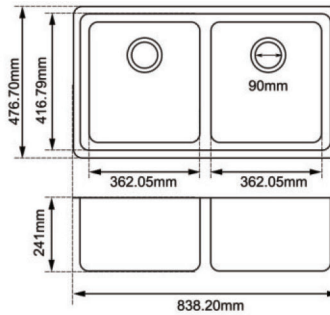
WH4242.KS/OX4242.KS

Top/Under Mount, Waste Included
Finish: White/Matte Black
Material: 80% Granite Quartz and 20% Acrylic Resin
Weight: 10.7kg
Package Size: 45X45X23cm



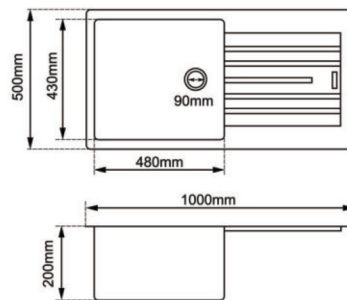
WH6347.KS/OX6347.KS

Under Mount Only, Waste Included
Finish: White/Matte Black
Material: 80% Granite Quartz and 20% Acrylic Resin
Weight: 18.8kg
Package Size: 66X50X28cm



WH8347.KS/OX8347.KS

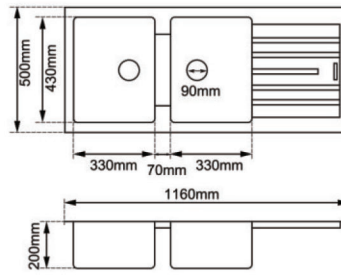
Top/Under Mount, Waste Included
Finish: White/Matte Black
Material: 80% Granite Quartz and 20% Acrylic Resin
Weight: 23.5kg
Package Size: 86X51X28cm



WH1050.KS/OX1050.KS

Top/Under Mount, Waste Included
Finish: White/Matte Black
Material: 80% Granite Quartz and 20% Acrylic Resin
Weight: 22.65kg
Package Size: 105X55X25cm

half-drill hole from bottom with red sticker on top



WH1150.KS/OX1150.KS

Top/Under Mount Waste &
Overflow Pipe Included
Finish: White/Matte Black
Material: 80% Granite Quartz and
20% Acrylic Resin
Weight: 26.8kg
Package Size: 107X55X25cm

half drill hole from bottom with red sticker on top



China Headquarter: No. 301, Building 1, Phase 1, Ronggui Tianfulai International Industrial Zone, Shunde District, Foshan City, Guangdong Province, China

Email: sales@miraclesanitary.com tracy.zhu@miraclesanitary.com

Phone: +86 15989497579